



# Service Manual

## BRX300 Series

Line Array Speaker System with Amplifier Module

- BRX308 - 2LA
- BRX308 - 4LA





# Table of Contents

---

Datasheets and Specifications

Exploded View Diagrams

PCB Layout

Block Diagrams

Schematics

Wiring Diagrams

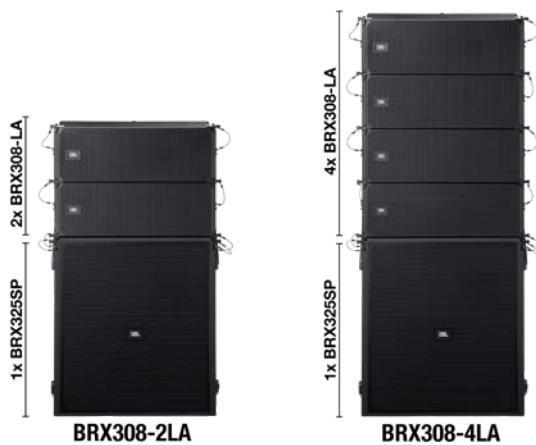
Bill of Materials



# BRX308-2LA / BRX308-4LA



## Self-Powered Modular Portable Line Array Systems



### HIGHLIGHTS ■

#### Superior JBL Acoustics out of the Box

Professional JBL performance with high SPL capabilities and ultra-wide 110° horizontal dispersion; built-in amplification and plug-and-play DSP for easy setup

#### Modular & Scalable Configuration Options

System can be expanded as needed and supports up to 1 sub x 2 tops when pole-mounted, up to 1 sub x 4 tops when ground-stacked or up to 2 ground-stacked subs x 8 tops when flown with the optional Array Frame

#### Portable & Rugged

Subwoofer and optional Transporter Kit include casters for easy transport; tour-tested cabinets feature all-wood construction with a Duraflex coating that protects against wear and tear

The BRX300 Series is a versatile line array for bands, DJs, rental firms, houses of worship and anyone who needs a compact, portable system that provides superior fidelity, high output and consistent coverage in a range of sound-reinforcement scenarios.

The modular BRX300 Series makes the power of line array technology accessible to customers who are not trained audio engineers, thanks to its plug-and-play simplicity, built-in corrective signal processing, smart transport system and hassle-free rigging hardware. Deploy in minutes and enjoy optimal sound out of the box with components engineered for fidelity and ease of use.

Systems are available in minimum one-subwoofer/two-top (BRX308-2LA) or one-subwoofer/four-top (BRX308-4LA) configurations, or subwoofers and tops can be purchased separately. Supported mounting options include ground-stacking, pole mounting or flying, providing seamless coverage in a range of applications.

### KEY MESSAGES ■

#### LEGENDARY JBL TOUR SOUND

The BRX308-2LA and BRX308-4LA systems comprise the BRX308-LA Line Array Element and BRX325SP Powered Subwoofer, which draw from JBL's legendary touring technologies to deliver wide coverage and class-leading SPLs while reproducing every sonic detail with superior depth and clarity, thanks to proprietary drivers that are engineered for maximum performance matched with the BRX325SP's built-in amplifier.

#### VERSATILE, VARIABLE COVERAGE

The BRX300 Series can scale to accommodate any small or midsize application. Systems can be configured in the following ways:

- One subwoofer and two tops, stacked or pole mounted
- One subwoofer and four tops, stacked
- Two ground-stacked subwoofers with eight tops flown
- One flown subwoofer with four adjacent tops flown

#### TAKE THE GUESSWORK OUT OF SYSTEM SETUP

The BRX300 Series delivers performance you can count on, right out of the box. Sophisticated internal processing handles crossover management, EQ, limiting, correction filters, phase processing and driver protection, so you can focus less on system calibration and more on your mix.

#### SELF-POWERED AND STREAMLINED

With the BRX300 Series, system deployment is fast and easy, without the hassle of amp racks, long cable runs or crossover calibration. BRX enclosures are equipped with convenient captive rigging points to fasten system components in place when ground stacked, pole mounted with the BRX308-PM Pole Mount and Adapter or in flown applications when used with the BRX308-AF Array Frame. No matter your configuration, you'll be able to set up quickly and safely and get right back to focusing on your show.

### SYSTEM COMPONENTS ■

#### BRX308-2LA

2x BRX308-LA (top unit)  
1x BRX325SP (subwoofer)

#### BRX308-4LA

4x BRX308-LA (top unit)  
1x BRX325SP (subwoofer)

# BRX308-2LA / BRX308-4LA



Self-Powered Modular Portable Line Array Systems

## CONFIGURATIONS ■



GROUND STACKED



POLE MOUNTED



FLOWN

## ACCESSORIES ■

### BRX308-ACC TRANSPORTER KIT

- Rolling cart transports up to four BRX308-LA Line Array Elements
- Includes water-resistant protective padded covers for BRX308-LA Line Array Elements and BRX325SP Subwoofer
- Four speaker cables: two cables to link BRX308LA and two cables of custom lengths for ground-stacked and pole-mount options



### BRX308-AF ARRAY FRAME

- Suspends up to eight BRX308-LA Line Array Units or one BRX325SP Powered Subwoofer
- Tested for a safety factor of 4:1



### BRX308-PM POLE MOUNT KIT

- Pole mount and adapter allow mounting of up to two BRX308-LA Line Array Elements onto a BRX325SP Subwoofer



# BRX308-2LA / BRX308-4LA



## Self-Powered Modular Portable Line Array Systems

### APPLICATIONS ■

Live music events, receptions, corporate functions and house-of-worship services in small to midsize venues

### FEATURES ■

#### BRX325SP POWERED SUBWOOFER

- Dual 15-inch woofers
- Frequency range: 32 Hz–250 Hz (-10 dB)
- 136 dB maximum SPL
- Built-in DSP includes crossover management, EQ, limiting, correction filters, phase-corrected processing and driver-protection circuitry
- Integrated 1,000 watt-per-channel, 6-channel amplifier offers the most channels in its class
- Powers up to four BRX308-LA Line Array Elements
- Dual inputs with Input Y mode allow a single input for the subwoofer and tops or dedicated inputs for more advanced uses
- Casters provide ease of transport
- Power cable options for China, India and APAC regions

#### BRX308-LA LINE ARRAY ELEMENT

- Dual 8-inch LF drivers and 3-inch titanium compression driver
- Frequency range: 80 Hz–20 kHz (-10 dB)
- 110° horizontal x 12° (variable) vertical dispersion
- 136 dB maximum SPL
- Variable inter-box angles
- I/O: two 4-pole NL4 connectors wired in parallel for IN/THRU use

### TECHNICAL SPECIFICATIONS ■

<b>SYSTEM TYPE:</b>	Modular, portable line array
<b>FREQUENCY RANGE (-10 dB):</b>	80 Hz–20 kHz
<b>AMP INPUT MODES:</b>	Dual, Input Y
<b>BRX325SP INPUTS:</b>	Two balanced XLR-F wired in parallel to XLR-M for THRU outputs
<b>BRX325SP OUTPUTS:</b>	Two 4-pole NL4 connectors for powering up to four tops
<b>BRX308-LA I/O:</b>	Two 4-pole NL4 connectors wired in parallel for IN/THRU use
<b>POWER INPUT:</b>	20A powerCON/230 VAC only
<b>CROSSOVER:</b>	Internal DSP incl. FIR processing
<b>SYSTEM POWER:</b>	6 channels @ 1000 watts each

<b>MAX PEAK SPL (2 PI):</b>	136 dB
<b>SYSTEM DIRECTIVITY (H x V):</b>	110° x 12° (variable)
<b>COMPLIANCE:</b>	CE
<b>MATERIAL:</b>	Plywood
<b>COLOR/FINISH:</b>	Matte black, Duraflex
<b>BRX325SP WEIGHT:</b>	86 kg (190 lb)
<b>BRX325SP DIMENSIONS (D x W x H):</b>	693 x 680 x 890 mm (27.3 x 26.7 x 35 in) (excludes caster wheels)
<b>BRX308-LA WEIGHT:</b>	20.5 kg (45.2 lb)
<b>BRX308-LA DIMENSIONS (D x W x H):</b>	376 x 662 x 299 mm (14.8 x 26 x 11.8 in)

### ORDER SPECIFICATIONS ■

<b>BOX DIMS (L X W X H):</b>	<b>BRX308-LA:</b> 810 x 490 x 390 mm (31.89 x 19.29 x 15.35 in)
	<b>BRX325SP:</b> 960 x 920 x 800 mm (37.8 x 36.22 x 31.5 in)
<b>SHIPPING WEIGHT:</b>	<b>BRX308-LA:</b> 25 kg (55.12 lb)
	<b>BRX325SP:</b> 98 kg (216.05 lb)
<b>COUNTRY OF ORIGIN:</b>	CN
<b>UPC CODE:</b>	<b>BRX308-LA:</b> 691991034039
	<b>BRX325SP:</b> 691991034046



HARMAN Professional 8500 Balboa Blvd. Northridge, CA 91329 USA

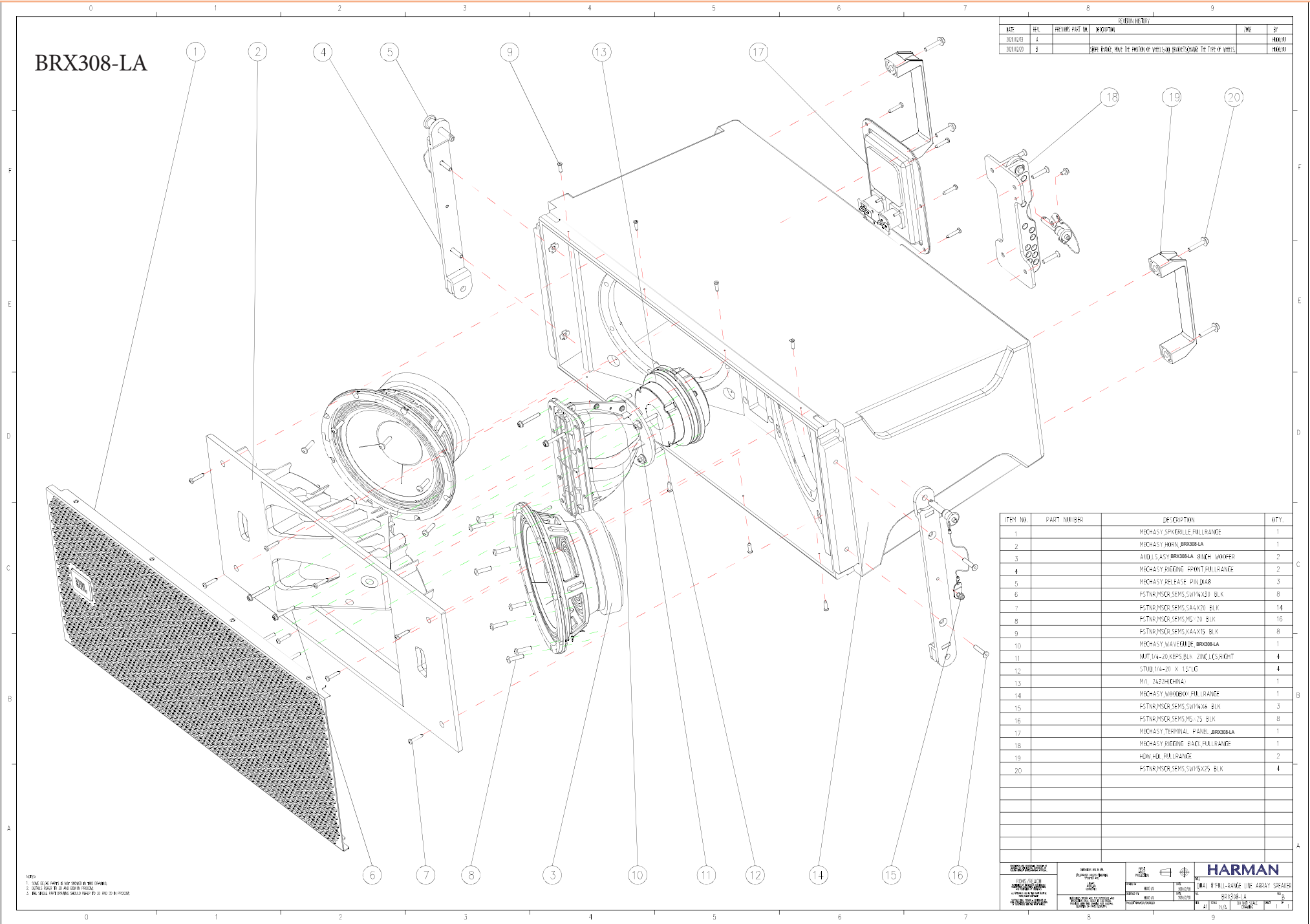
© 2020 HARMAN International Industries, Incorporated. All rights reserved.  
Features, specifications and appearance are subject to change without notice.

[www.jblpro.com](http://www.jblpro.com)

Issued: 6/2020

# Exploded View Diagrams

BRX308-LA



REV	DATE	BY	CHKD	DESCRIPTION	QTY	REV
0000000	0					
0000000	0			REV. DRAWING FOR THE HORN AND WAVEGUIDE SUBASSEMBLY THE TIME OF APPROVAL		

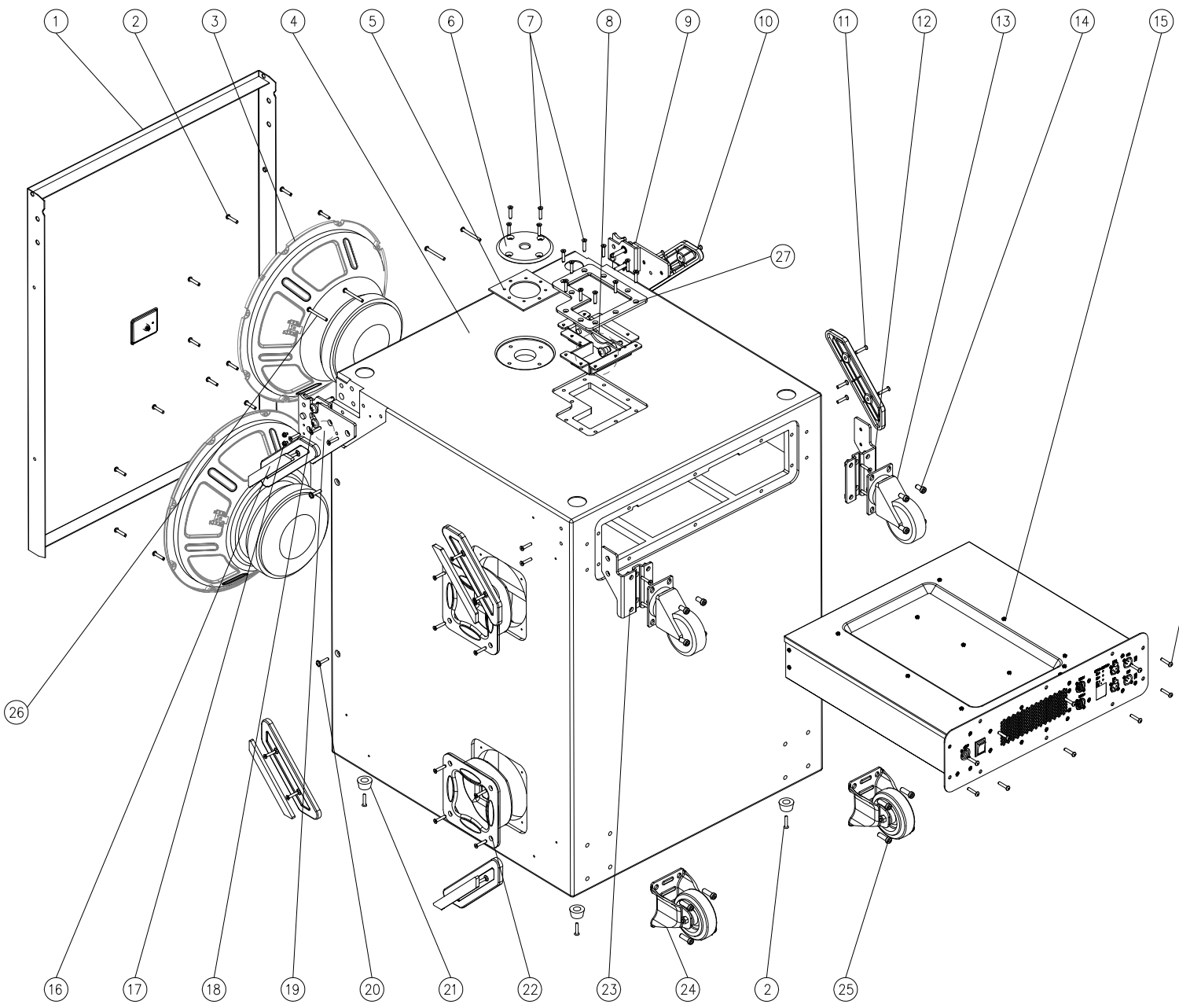
ITEM NO.	PART NUMBER	DESCRIPTION	QTY.
1		MECHASY SPRING/SHIELD FULLRANGE	1
2		MECHASY HORN, BRX308-LA	1
3		AUDIO ASY BRX308-LA 8OHM W/OOFR	2
4		MECHASY RIDING FRONT FULLRANGE	2
5		MECHASY RELEASE PULSAR	3
6		PSTR.MDR.SEMS.SW16X20 BLK	8
7		PSTR.MDR.SEMS.SA4X20 BLK	14
8		PSTR.MDR.SEMS.MS.20 BLK	16
9		PSTR.MDR.SEMS.K44X16 BLK	8
10		MECHASY WAVEGUIDE BRX308-LA	1
11		SMF.144-20 KPS BLK ZINC,CS,RCHT	4
12		STND.144-20 X 15" LG	4
13		MIL. INZ22HCHINA	1
14		MECHASY WOODGRY FULLRANGE	1
15		PSTR.MDR.SEMS.SW16X6 BLK	3
16		PSTR.MDR.SEMS.MS.25 BLK	8
17		MECHASY TERMINAL PANEL BRX308-LA	1
18		MECHASY RIDING BACK FULLRANGE	1
19		HORN FULLRANGE	2
20		PSTR.MDR.SEMS.SW16X25 BLK	4

- NOTES:
1. SOME ELECTRICAL PARTS MAY BE SHOWN IN THIS DRAWING.
  2. CHECK FOR THE USE OF THE CORRECT PART NUMBER.
  3. ALL DIMENSIONS SHOULD BE TO THE CENTER UNLESS OTHERWISE SPECIFIED.

	MODEL NO. 308-LA PART NO. 308-LA REV. 0000000	DATE: 11/20 BY: [Signature] CHECKED: [Signature]	DRAWN BY: [Signature] CHECKED BY: [Signature]	TITLE: INITIAL 8 PHIL-RANGE LINE ARRAY SPEAKER QTY: 1 UNIT: 308-LA PART: 1
	HARMAN INTERNATIONAL COMPANY 1000 WEST 170TH STREET CINCINNATI, OHIO 45241-1000 TEL: 513-251-1000 FAX: 513-251-1001 WWW.HARMAN.COM			

REVISION HISTORY				ZONE	BY
DATE	REV.	PREVIOUS PART NO.	DESCRIPTION		
2020/07/13	A				REGIO10
2020/07/20	B		SCOPE CHANGE, MOVE THE POSITION OF WHEELS AND BRACKETS/CHANGE THE TYPE OF WHEELS		REGIO10

### BRX325SP

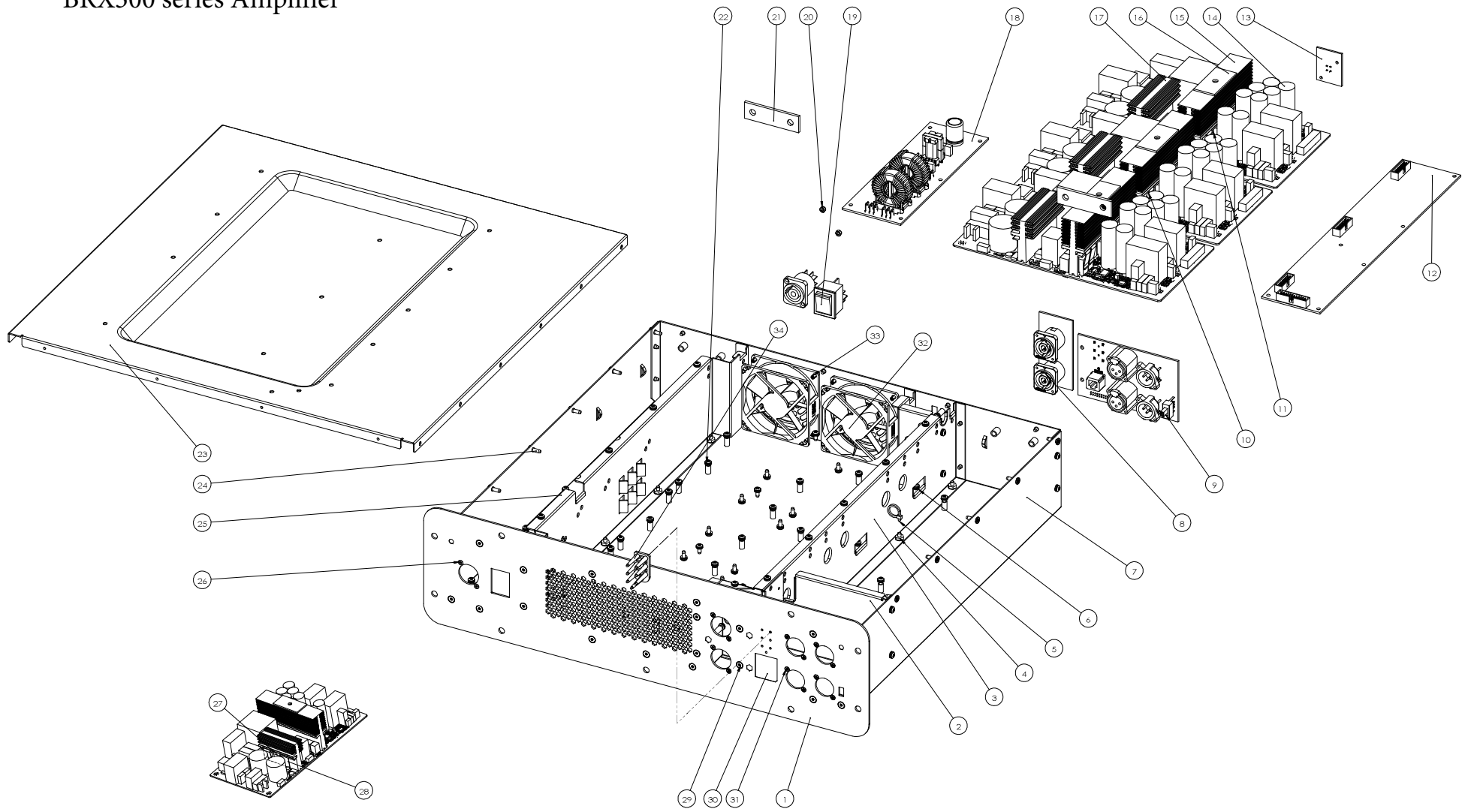


ITEM NO.	PART NUMBER	DESCRIPTION	QTY.
1		MECHASY GRILL, w/ BIDGE SUBWOOFER	1
2		FSTNR_MSCR_SEMS_PMSX25_BLK	34
3		<b>BRX325SP</b> 15INCH SUBWOOFER	2
4		MECHASY_ENCL_SUBWOOFER_JUKEBOX	1
5		MECHASY_POLEMOUNTPLATE <b>BRX325SP</b>	1
6		MECHASY_Pole Hat <b>BRX325SP</b>	1
7		FSTNR_MSCR_SEMS_KMSX25_BLK	30
8		MECHASY_Rigging_B_Sub <b>BRX325SP</b>	1
9		MECHASY_Rigging_L_Sub <b>BRX325SP</b>	1
10		HDW_BAR_PROTECTION <b>BRX325SP</b>	8
11		FSTNR_MSCR_SEMS_T45X28_BLK	32
12		HDW_BRKT_L_WHL_6355SR7B	1
13		HDW_WHL_w/ LOCK DIA90	2
14		FSTNR_MSCR_SEMS_SMBX15_BLK	8
15		MECHASY <b>BRX325SP</b> PAMP MODULE	1
16		HDW_SHIM_SILBRB_PROTECTIONBAR	4
17		FSTNR_MSCR_SEMS_SWM4X6_BLK	5
18		MECHASY_RELEASE_PIN_DIA8	5
19		MECHASY_Rigging_R_Sub <b>BRX325SP</b>	1
20		FSTNR_MSHR_5.5ID120DX1.0 THICK_BLK	8
21		HDW_FT_SUBWOOFER_JUKEBOX	4
22		MECHASY_HANDLEUP_SUB <b>BRX325SP</b>	4
23		HDW_BRKT_R_WHL_6355SR7B	1
24		HDW_WHL_w/o LOCK DIA100	2
25		FSTNR_MSCR_SEMS_SMBX25_BLK	8
26		FSTNR_MSCR_SEMS_SMSX45_BLK	4
27		MECHASY_Rigging_BP_Sub <b>BRX325SP</b>	1

NOTES:  
1. SOME SLAKE PARTS IS NOT SHOWN IN THIS DRAWING.  
2. DETAILS REFER TO 2D AND 3D IN PROLOG.  
3. THE SINGLE PART DRAWING SHOULD REFER TO 2D AND 3D IN PROLOG.

DUAL 15" SUBW WITH 515 AMP MODULE	PART NO. <b>BRX325SP</b>	DATE 11/20	REV. B	ZONE B	BY REGIO10

# BRX300 series Amplifier

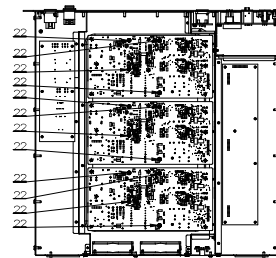
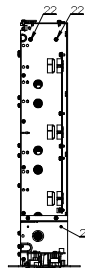
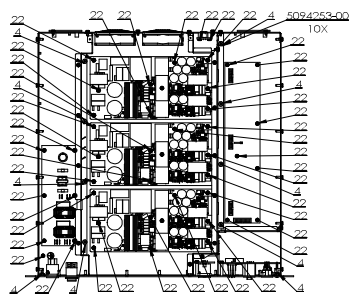
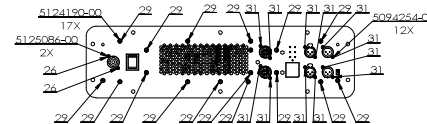
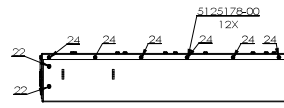
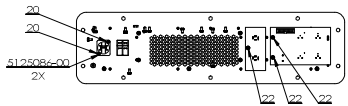
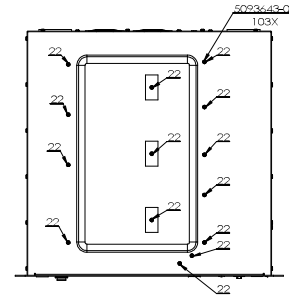
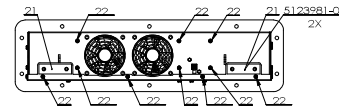


Refer to the Bil of Materials for BOM List

<b>HARMAN</b> <small>INTERNATIONAL COMPANY</small>		Part No. <b>11-20000000</b>
Description <b>Amplifier Box Assy. jukebox</b>		Rev. <b>1</b>
Date <b>11/20</b>		Drawing <b>11-20000000</b>
Scale <b>1:1</b>		Sheet <b>1</b>
Material <b>AL</b>		Qty. <b>1</b>



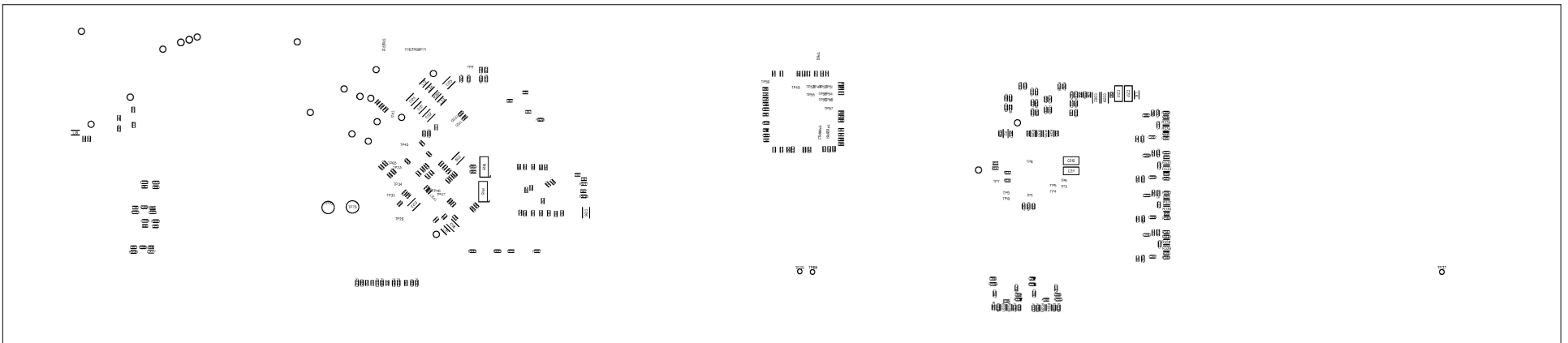
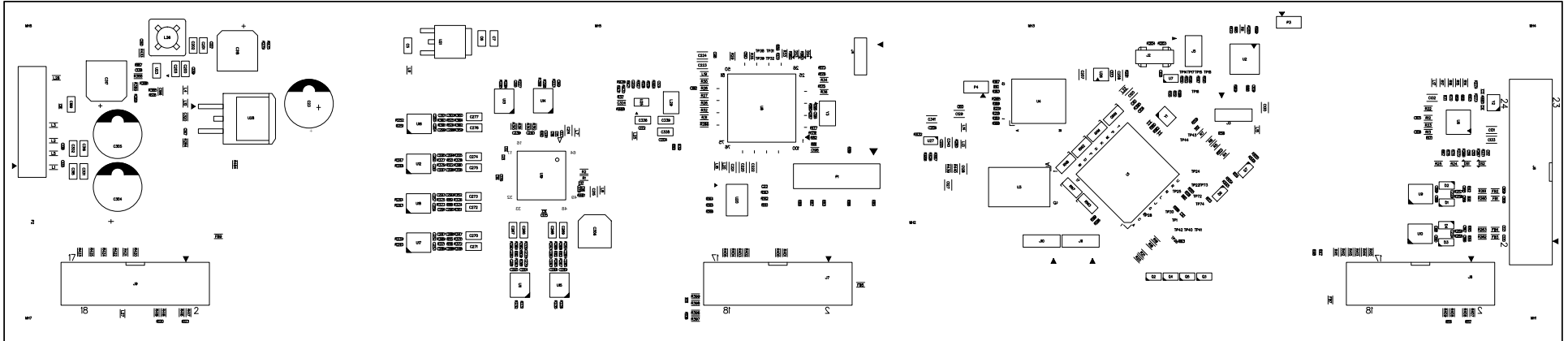
# BRX300 series Amplifier



HARMAN INTERNATIONAL COMPANY 15000 E. BEVERLY BLVD. ANAHEIM, CA 92803 TEL: 714/997-3300 FAX: 714/997-3301 WWW.HARMAN.COM	HARMAN 15000 E. BEVERLY BLVD. ANAHEIM, CA 92803 TEL: 714/997-3300 FAX: 714/997-3301 WWW.HARMAN.COM	TITLE:	DATE:
		10 Amplifier Box Assy_1ukeboxA	11/20
HARMAN INTERNATIONAL COMPANY 15000 E. BEVERLY BLVD. ANAHEIM, CA 92803 TEL: 714/997-3300 FAX: 714/997-3301 WWW.HARMAN.COM		DRAWN BY:	CHECKED BY:
HARMAN INTERNATIONAL COMPANY 15000 E. BEVERLY BLVD. ANAHEIM, CA 92803 TEL: 714/997-3300 FAX: 714/997-3301 WWW.HARMAN.COM		DATE:	SCALE:
HARMAN INTERNATIONAL COMPANY 15000 E. BEVERLY BLVD. ANAHEIM, CA 92803 TEL: 714/997-3300 FAX: 714/997-3301 WWW.HARMAN.COM		11/20	2

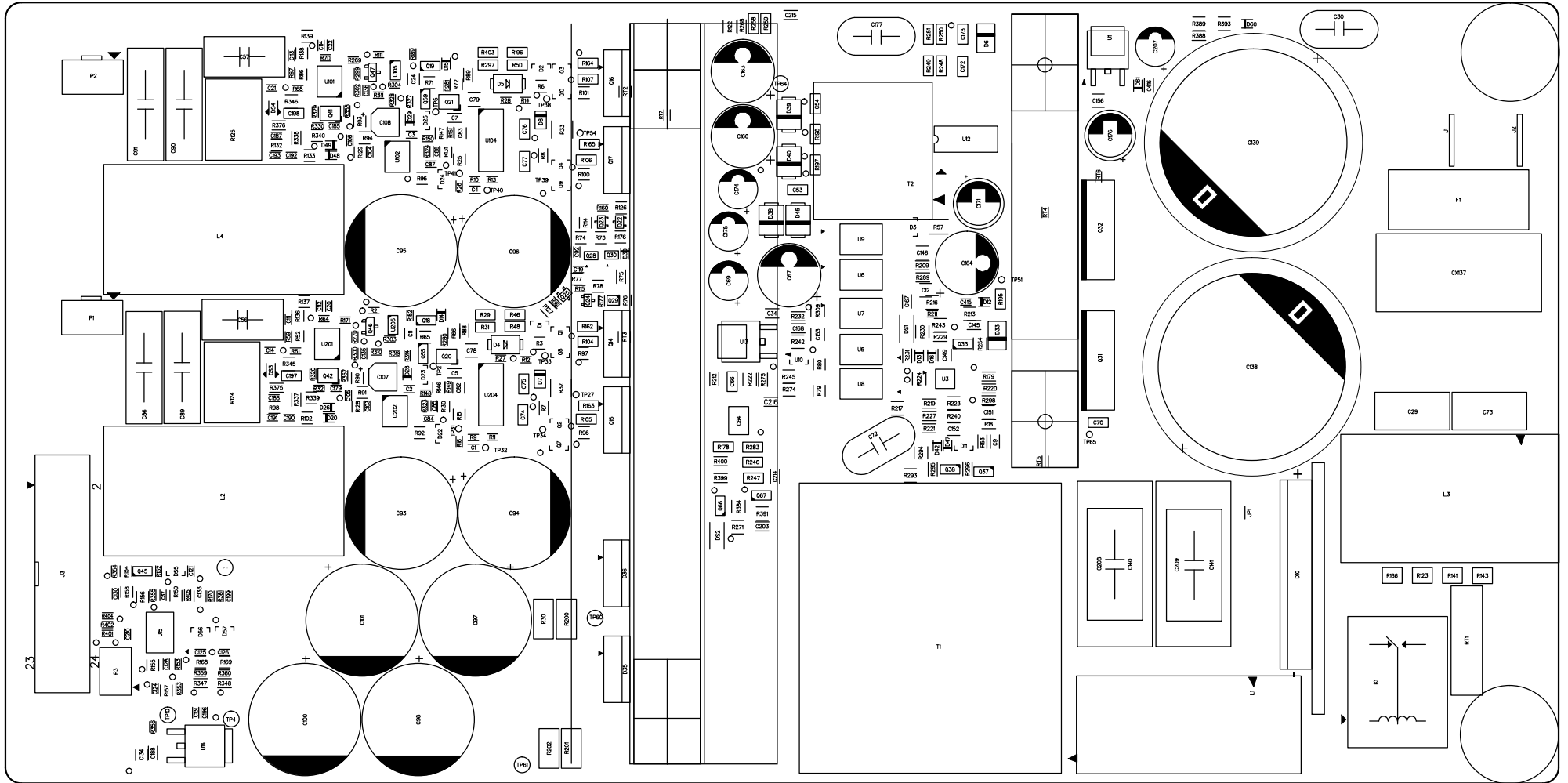
PN: 5121765-00

PCB,ASY,BRX325SP AMP\_DSP,AV1



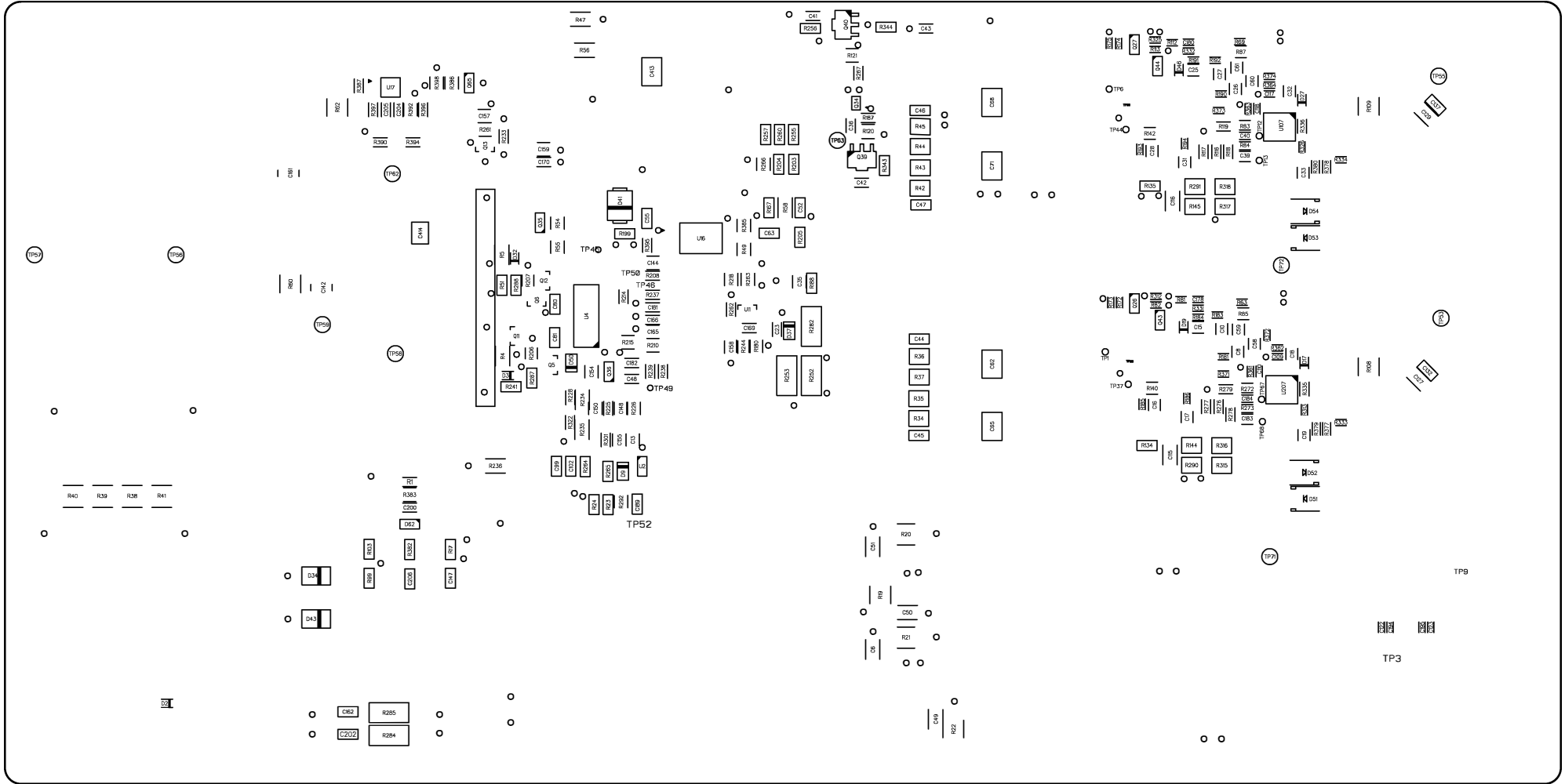
PN: 5121683-00

PCB,ASY,BRX325SP AMP\_MAIN,AV1



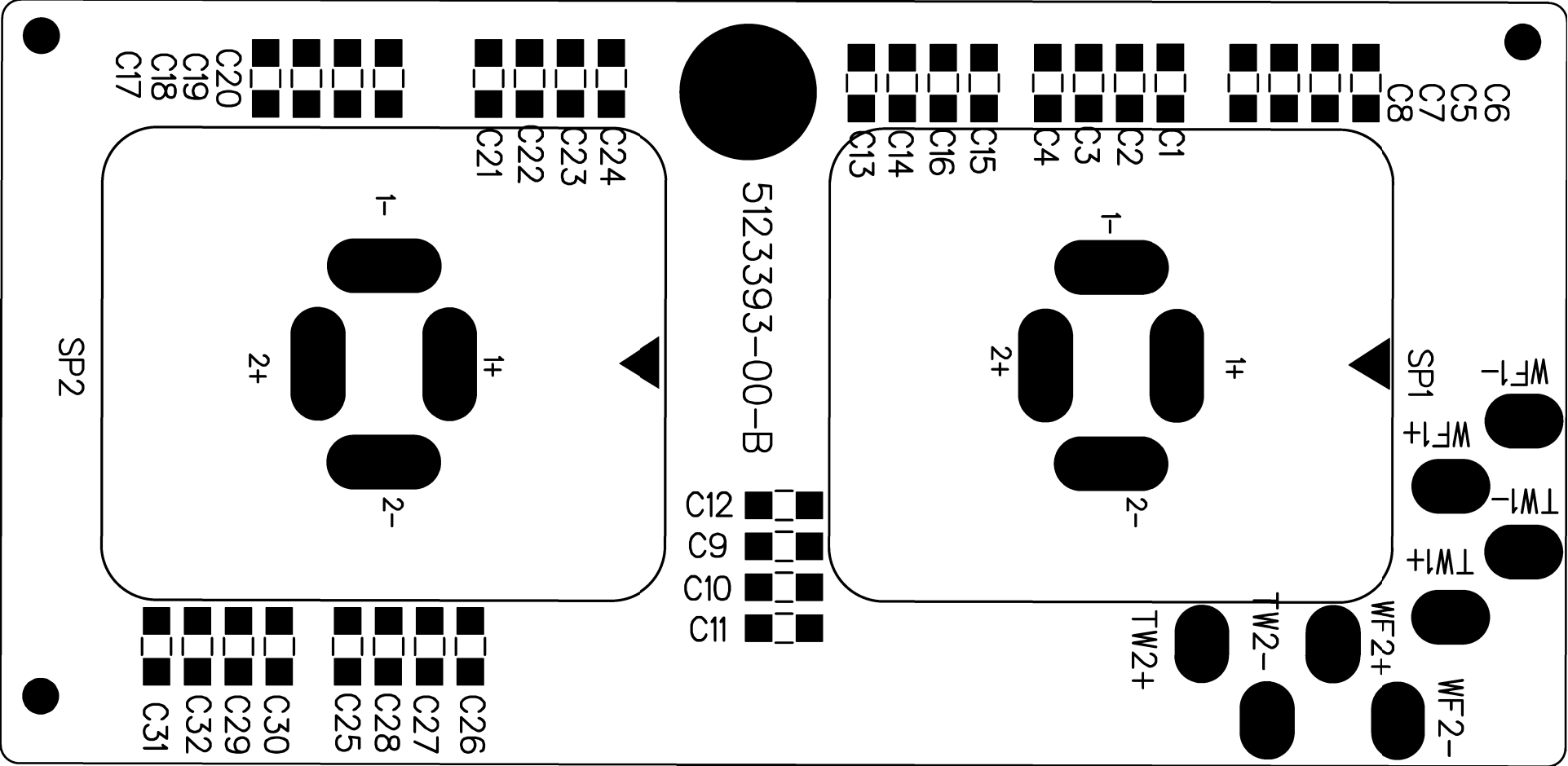
PN: 5121683-00

PCB,ASY,BRX325SP AMP\_MAIN,AV1



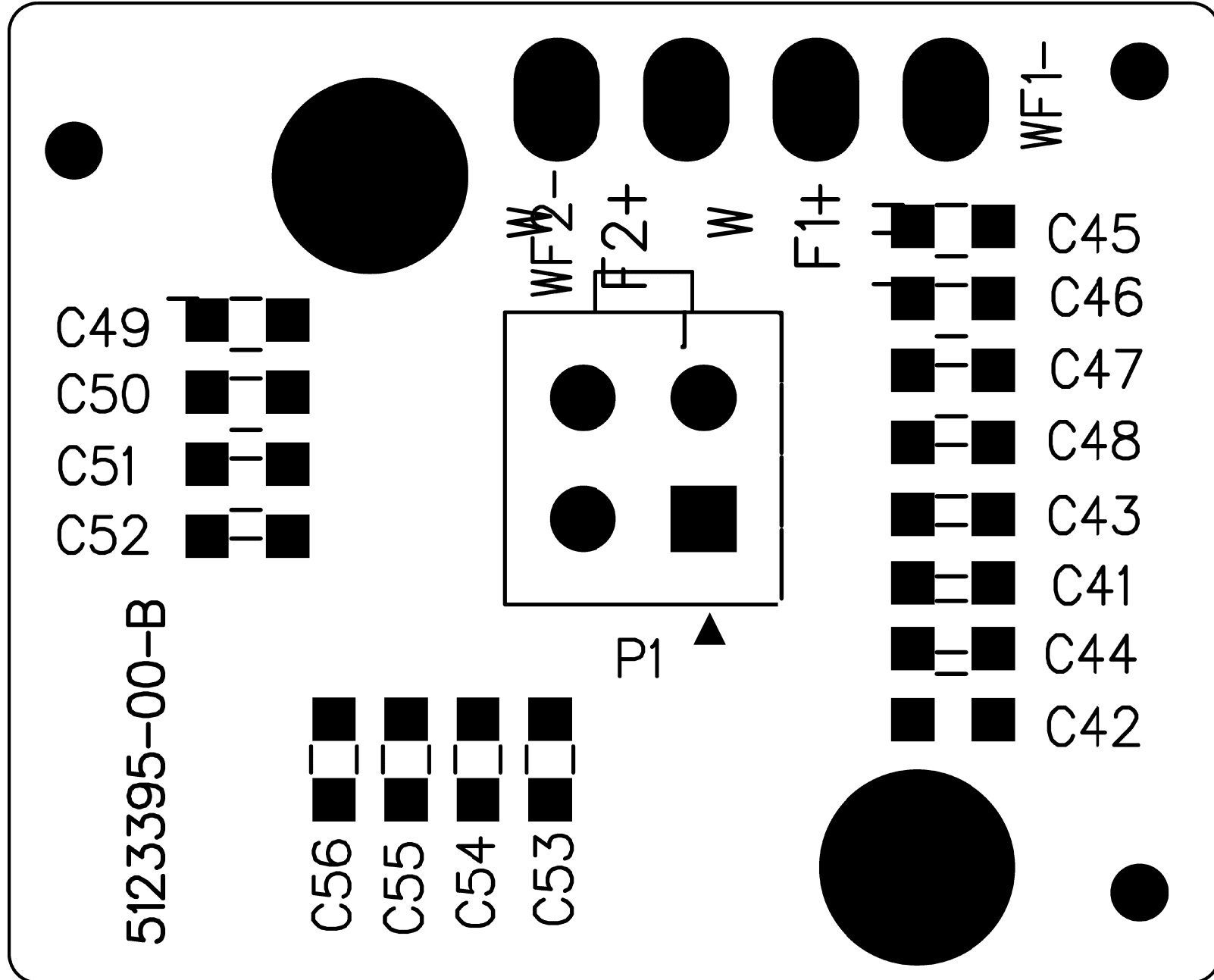
PN: 5123392-00

PCB ASY DATA,AMP\_OUT\_PASSIVE,AV1



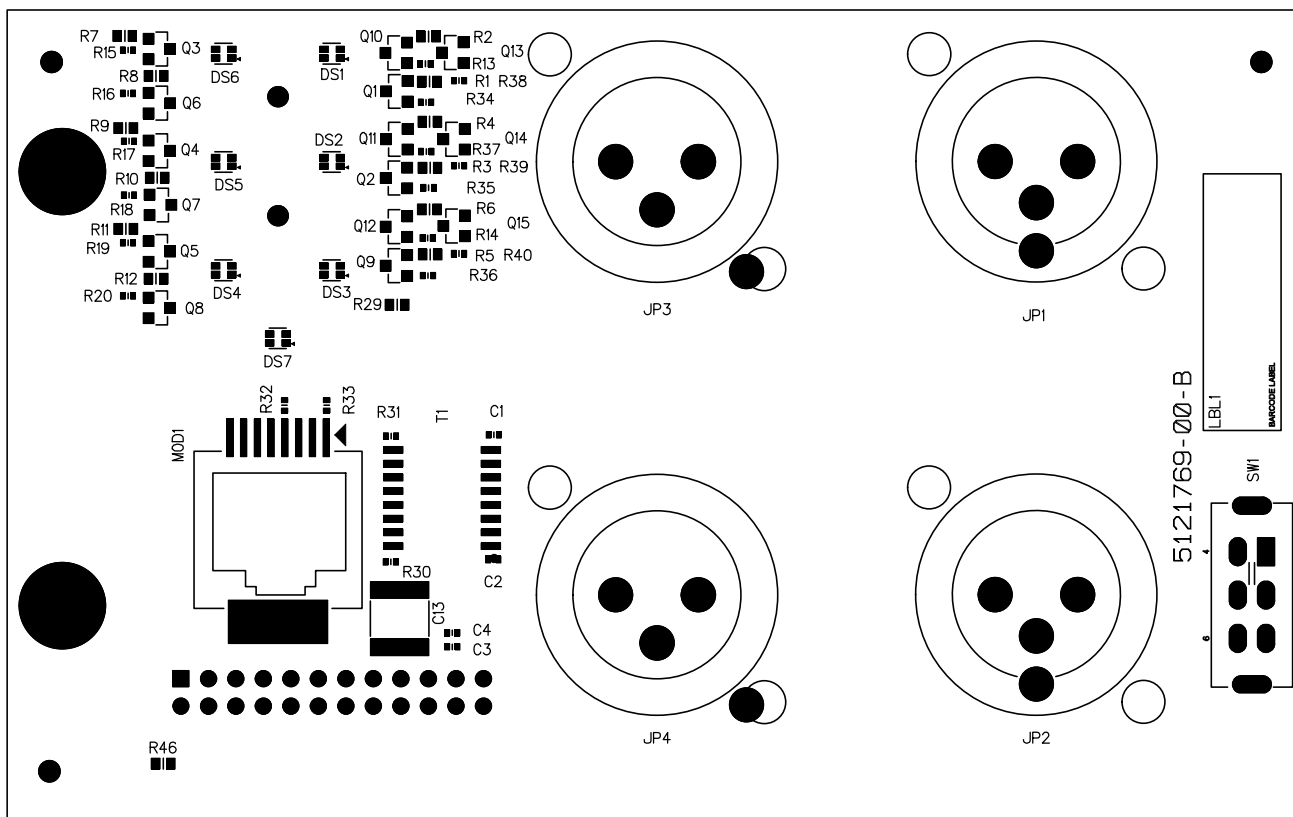
PN: 5123394-00

PCB ASY DATA,AMP\_OUT\_SUBWOOFER,AV1



PN: 5121768-00

PCB,ASY,BRX325SP AMP\_IOBOARD,AV1

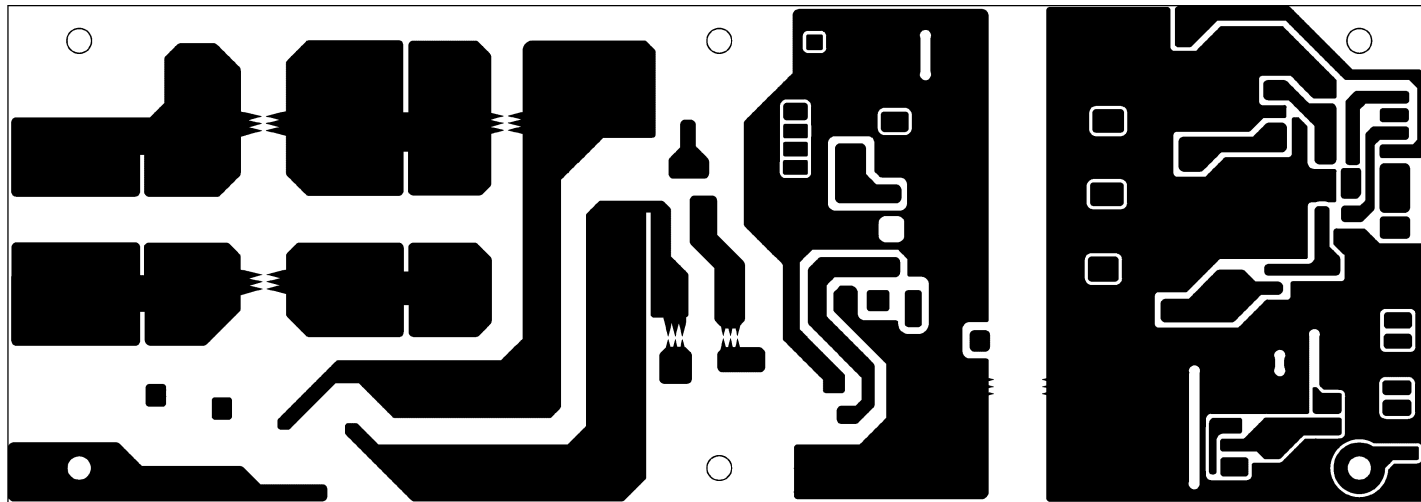
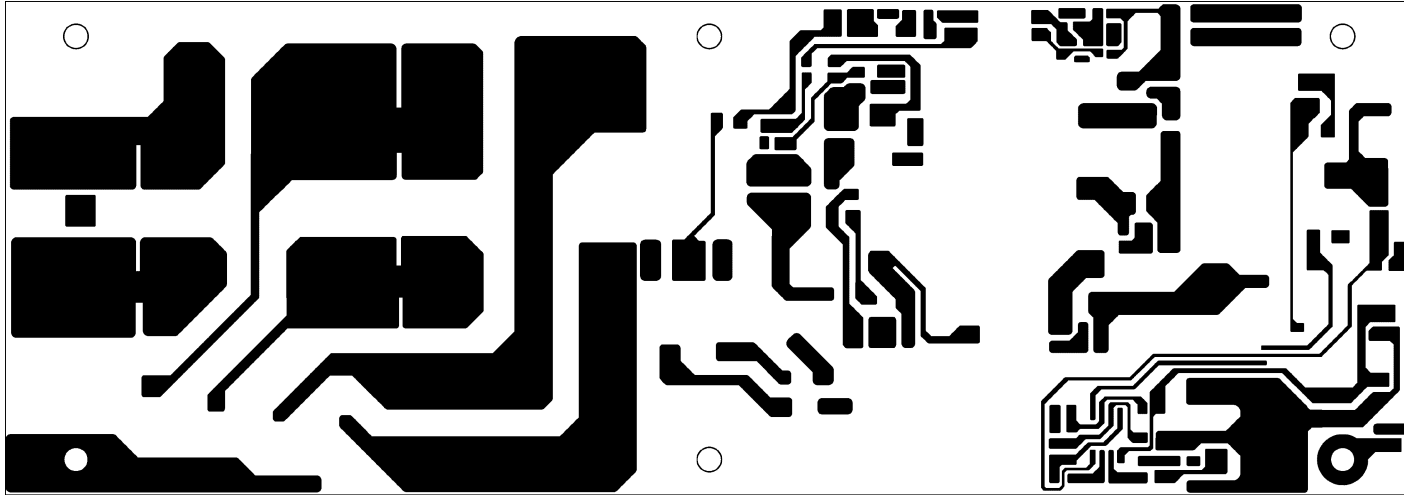






PN: 5124678-00

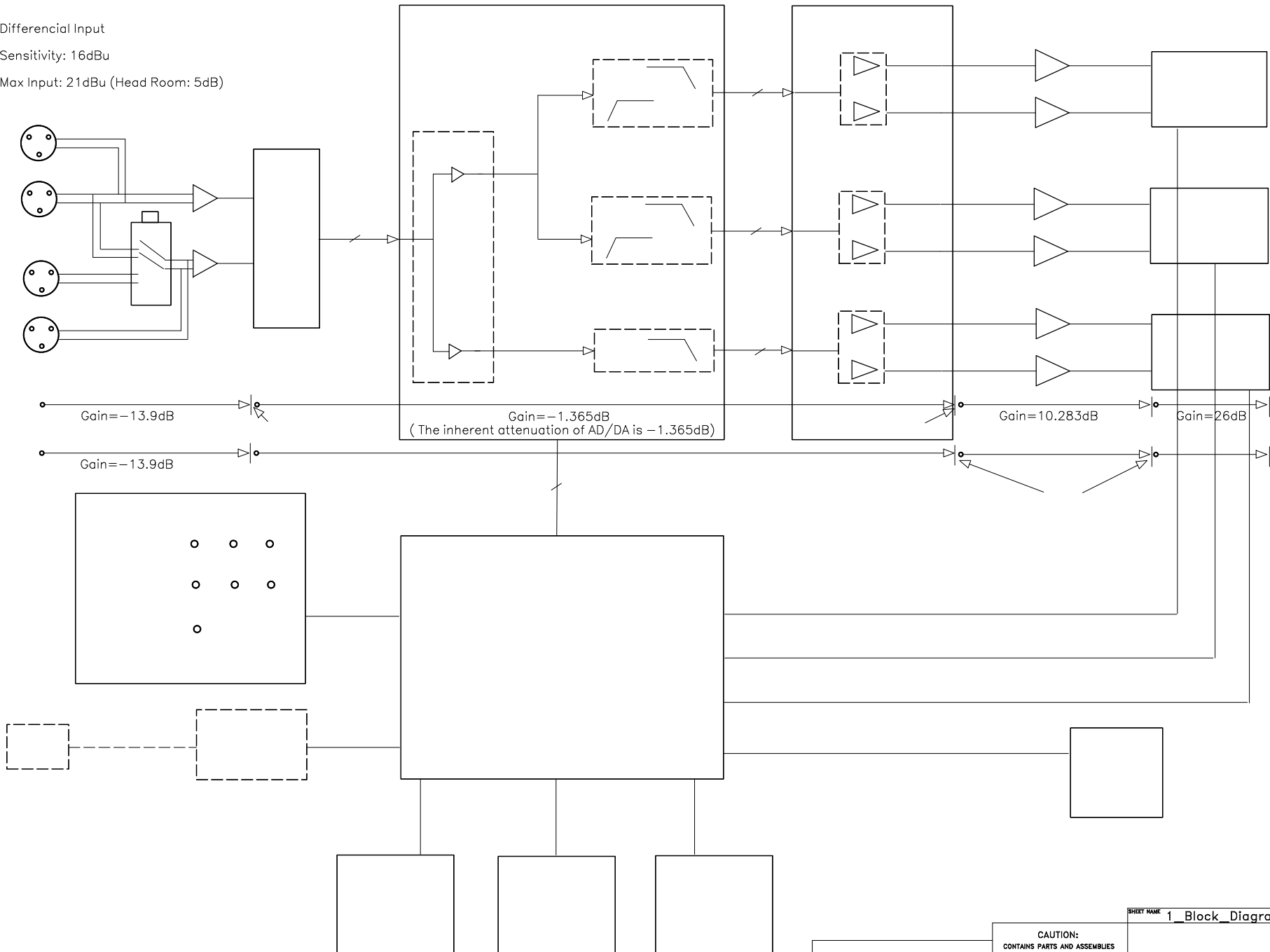
PCB,ASY,EMI FILTER, BRX325SP AMP



Differential Input

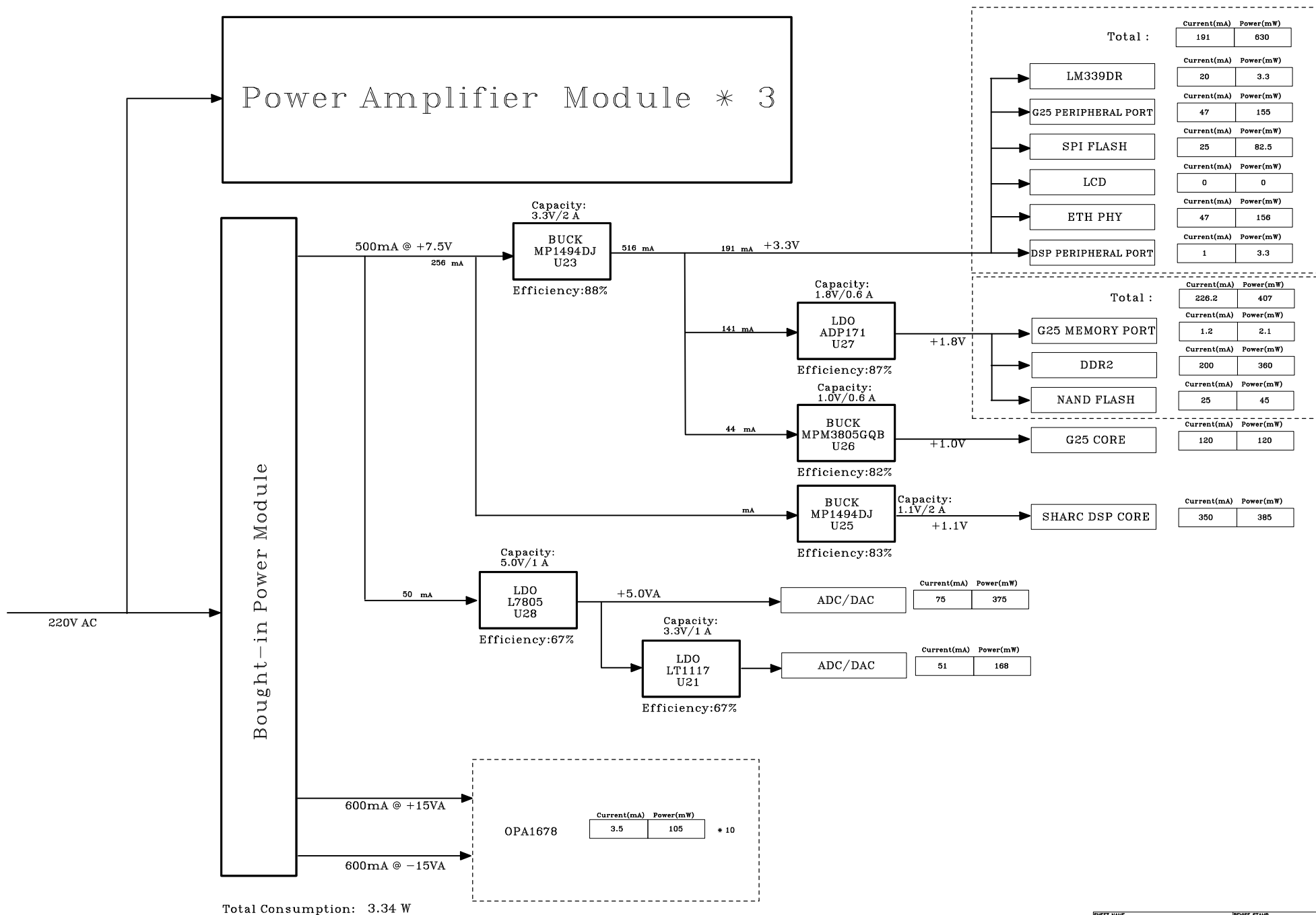
Sensitivity: 16dBu

Max Input: 21dBu (Head Room: 5dB)



<b>CAUTION:</b> CONTAINS PARTS AND ASSEMBLIES SUSCEPTIBLE TO DAMAGE BY ELECTROSTATIC DISCHARGE (ESD).		SHEET NAME 1_Block Diagram	REVISE STAMP 14/11/2019:15:48
DRAWN BY Chuanfang Wang	DATE 03JUL2019	TITLE PCB SCH, Juke Box	
ENGINEER Chuanfang Wang	DATE 03JUL2019	SIZE C	ASY/SGH PART NO. 5121765-00
SCALE NONE	SCH DOC NO. 1000343884	PCB PART NO. 5121766-00	SHEET 11

Power Tree of BRX300 Series



Total :

Current(mA)	Power(mW)
191	630
20	3.3
47	155
25	82.5
0	0
47	156
1	3.3

Total :

Current(mA)	Power(mW)
226.2	407
1.2	2.1
200	360
25	45
120	120

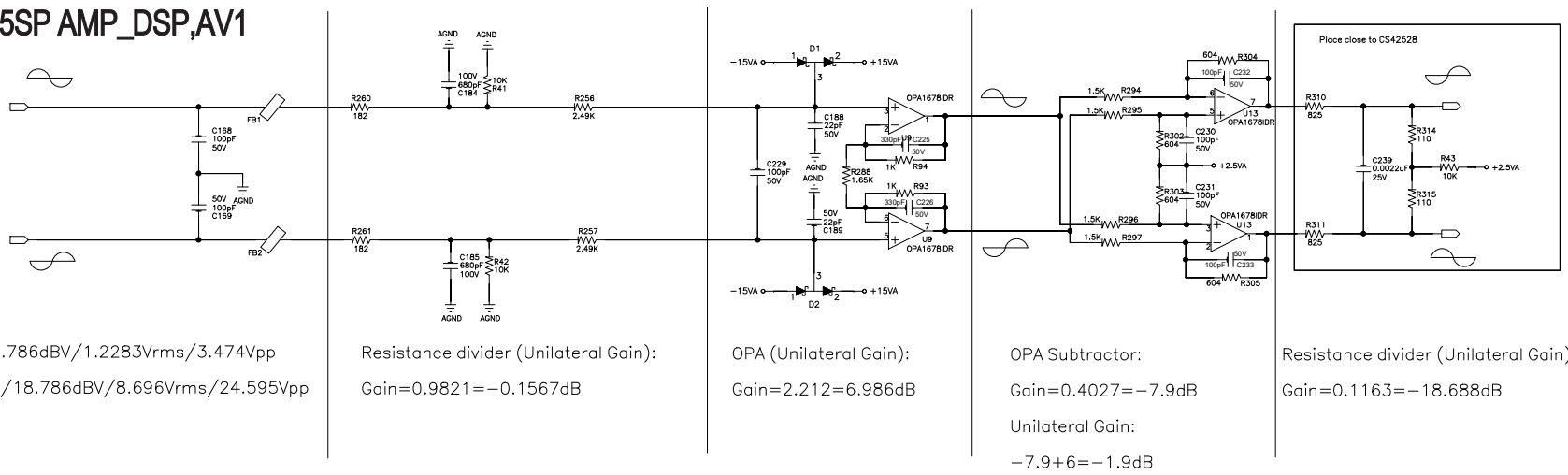
Current(mA)	Power(mW)
75	375

Current(mA)	Power(mW)
51	168

Current(mA)	Power(mW)
3.5	105

\* 10

PCB,ASY,BRX325SP AMP\_DSP,AV1



Differential Input

Sensitivity: 4dBu/1.786dBV/1.2283Vrms/3.474Vpp

Head Room: 21dBu/18.786dBV/8.696Vrms/24.595Vpp

Resistance divider (Unilateral Gain):

Gain=0.9821=-0.1567dB

OPA (Unilateral Gain):

Gain=2.212=6.986dB

OPA Subtractor:

Gain=0.4027=-7.9dB

Unilateral Gain:

-7.9+6=-1.9dB

Resistance divider (Unilateral Gain):

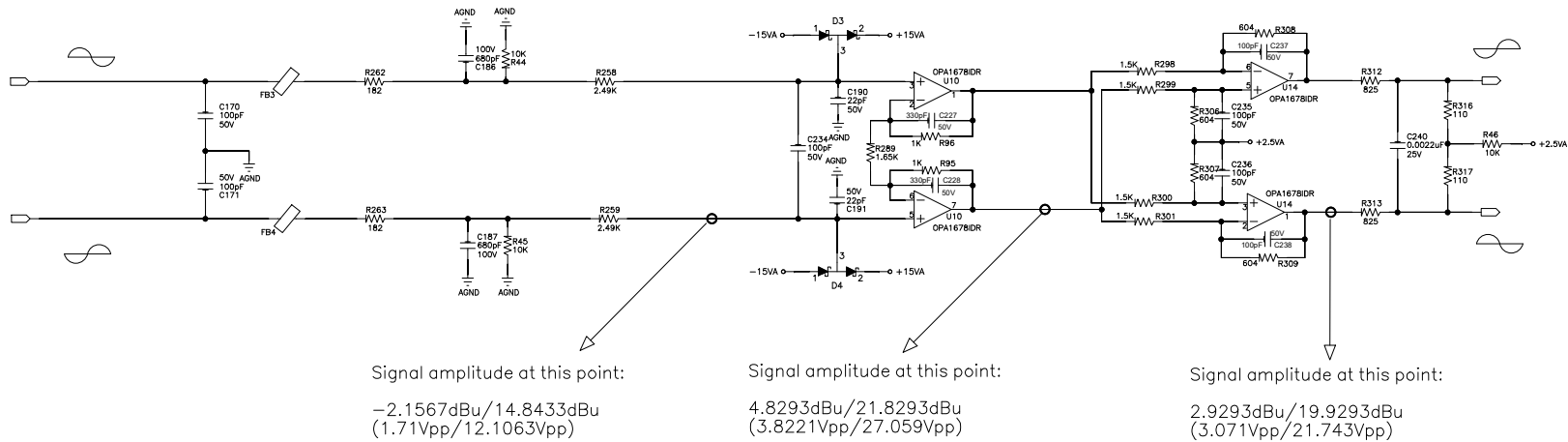
Gain=0.1163=-18.688dB

Unilateral Input: -2dBu/15dBu

Differential Input: 4dBu/21dBu

Unilateral Output: -15.7587dBu/1.2413dBu

Differential Output: -9.7587dBu/7.2413dBu  
(0.7127Vpp/5.046Vpp)



Signal amplitude at this point:

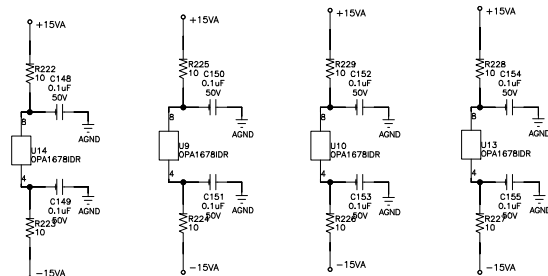
-2.1567dBu/14.8433dBu  
(1.71Vpp/12.1063Vpp)

Signal amplitude at this point:

4.8293dBu/21.8293dBu  
(3.8221Vpp/27.059Vpp)

Signal amplitude at this point:

2.9293dBu/19.9293dBu  
(3.071Vpp/21.743Vpp)

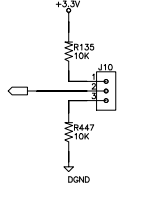
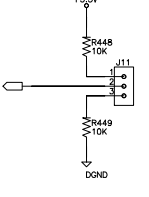
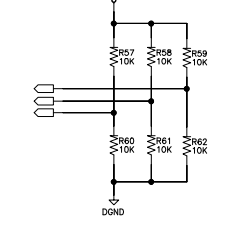
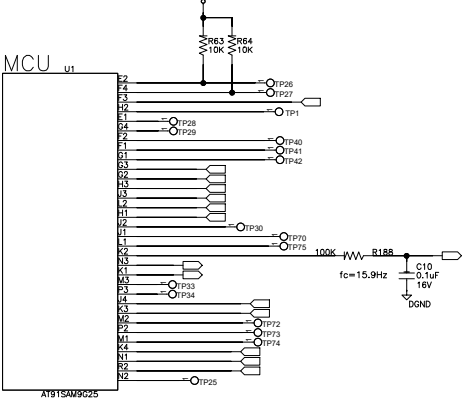
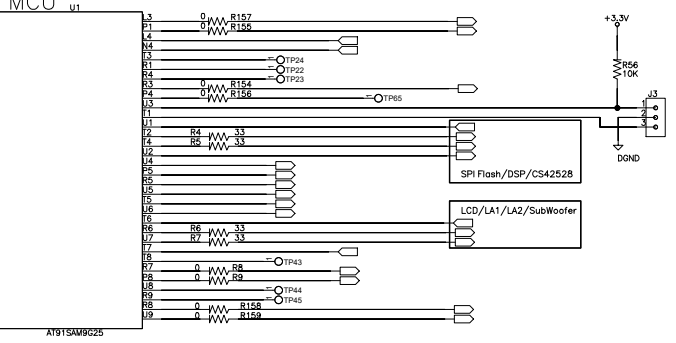
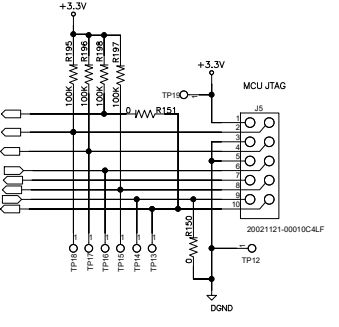
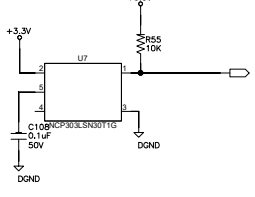
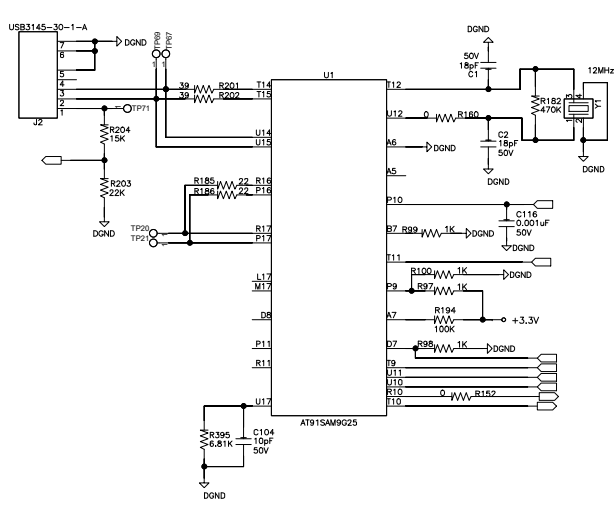
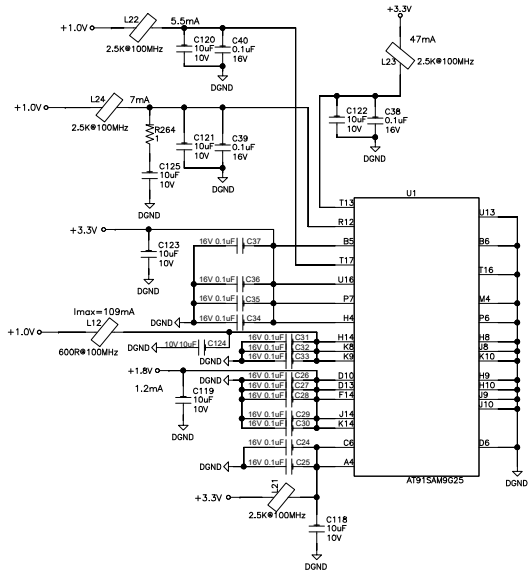


PN: 5121765-00

SHEET NAME		REVISE STAMP	
3_INPUT		14/11/2019:18:01	
SIZE	ASY/SCH PART NO.		REV
C			A
SCALE	SCH PART NO.	PCB PART NO.	SHEET 11
NONE	1000343864		20

PCB,ASY,BRX325SP AMP\_DSP,AV1

MCU\_DEBUG



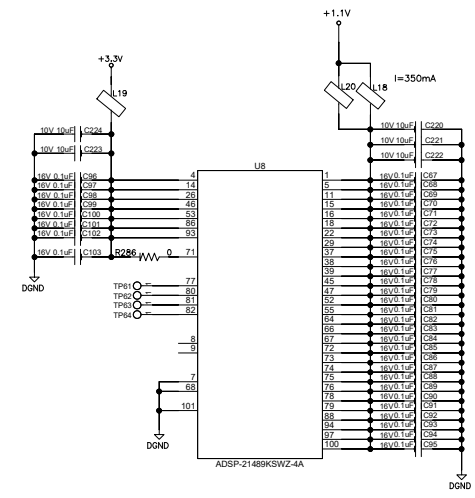
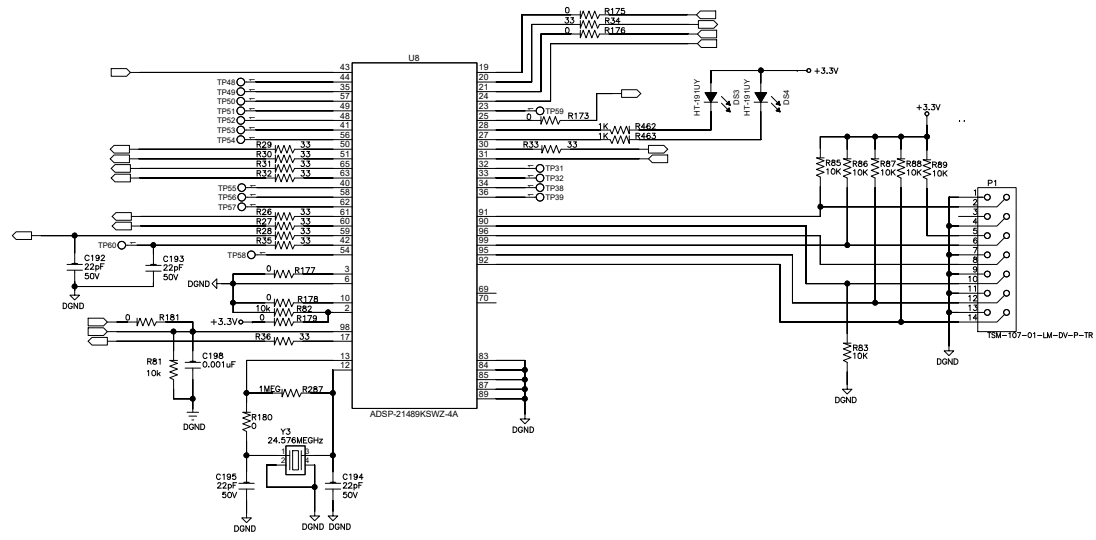
PN: 5121765-00

SHEET NAME	4_ARM9	REVISE STAMP	18/11/2019:18:15
SIZE	ASY/SCH PART NO.		REV
C			A
SCALE	SCH PART NO. 1000343864	PCB PART NO.	SHEET 11 21





PCB,ASY,BRX325SP AMP\_DSP,AV1

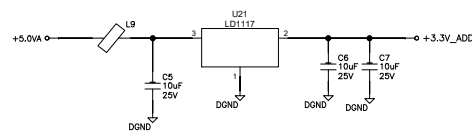
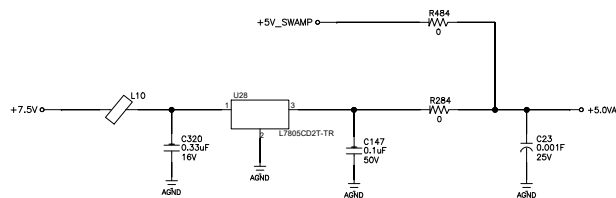
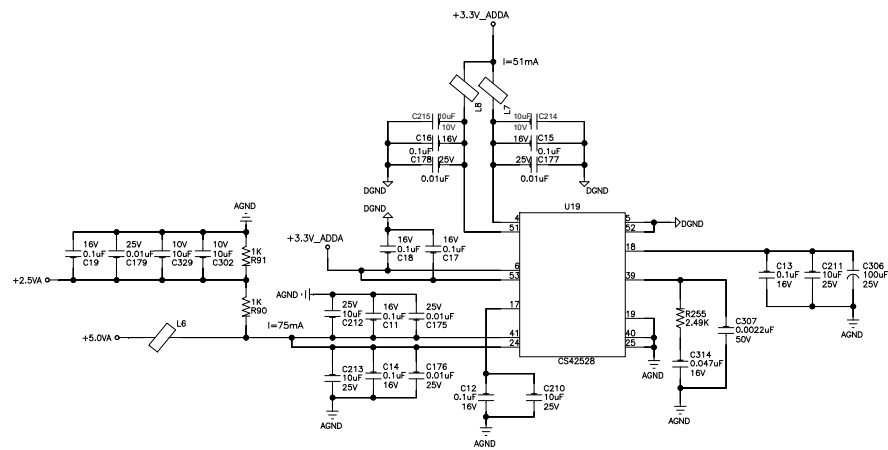
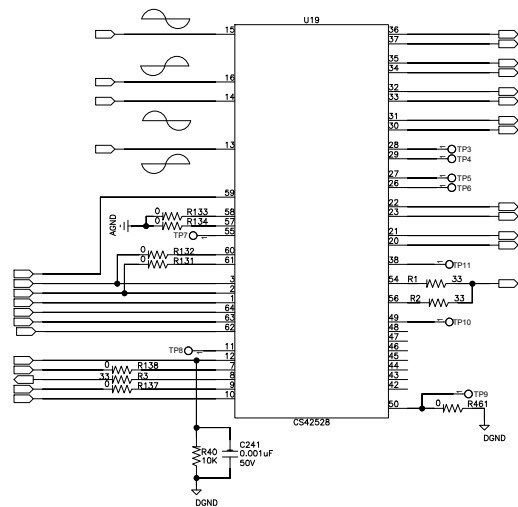


PN: 5121765-00

SHEET NAME		8_DSP		REVISE STAMP		08/08/2019:16:15	
SIZE	ASY/SCH PART NO.					REV	
C						A	
SCALE	SCH PART NO.	PCB PART NO.			SHEET	11	24
NONE	1000343864						

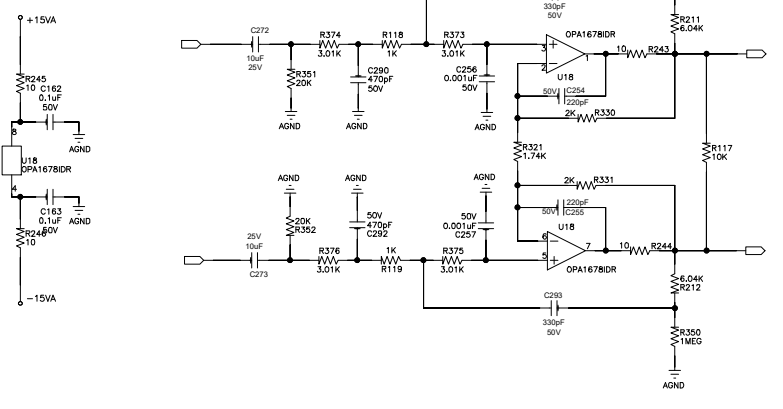
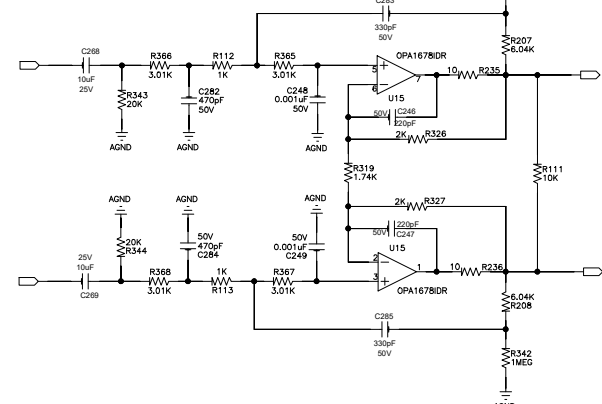
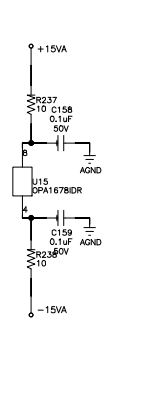
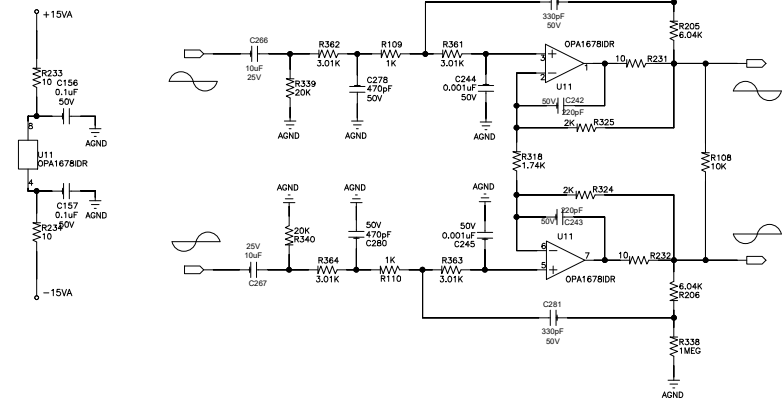


PCB,ASY,BRX325SP AMP\_DSP,AV1



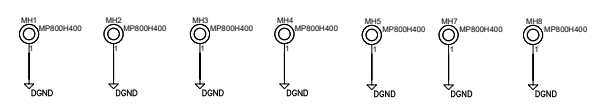
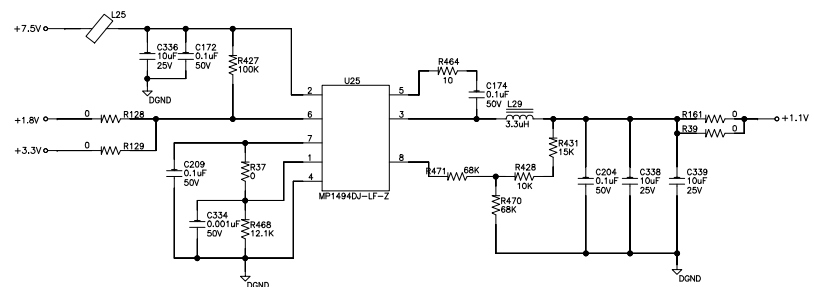
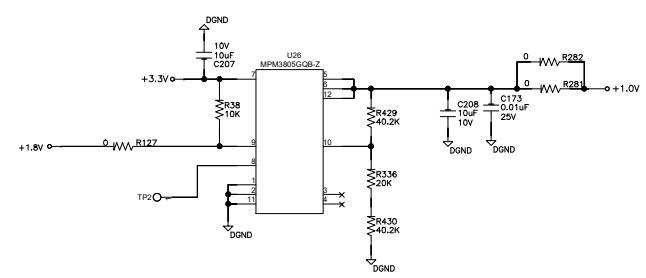
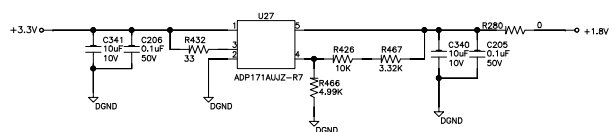
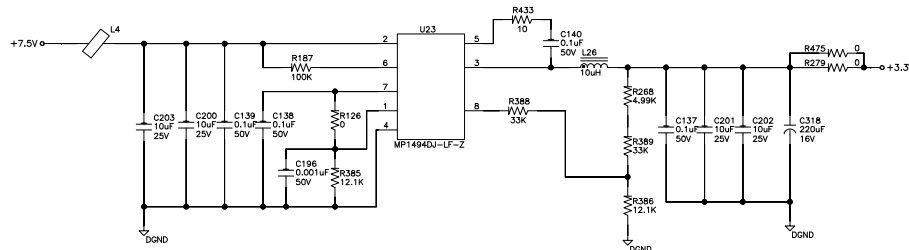
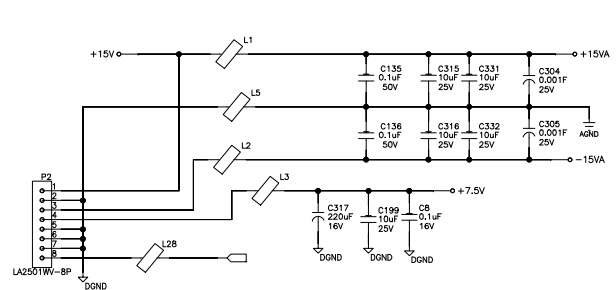
PN: 5121765-00

SHEET NAME	9_AD/DAC	REVISE STAMP	13/02/2020:21:21
SIZE	ASY/SCH PART NO.		REV
C			A
SCALE	SCH PART NO.	PCB PART NO.	SHEET 11
NONE	1000343864		25



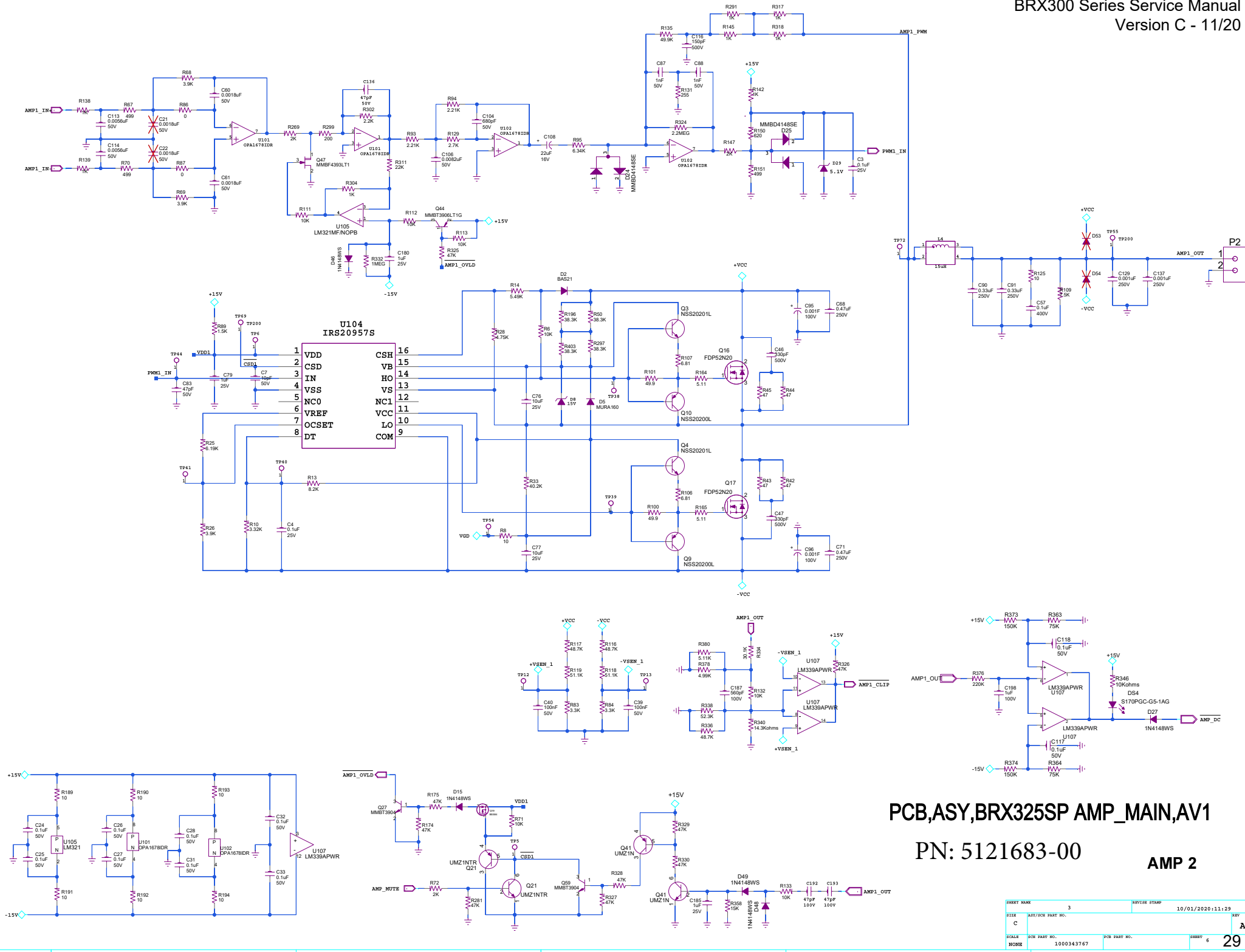


PCB,ASY,BRX325SP AMP\_DSP,AV1



PN: 5121765-00

SHEET NAME		12_Power		REVISE STAMP		08/01/2020:10:02	
SIZE	ASY/SCH PART NO.					REV	
C						A	
SCALE	SCH PART NO.	PCB PART NO.	SHEET	11	28		
NONE	1000343864						

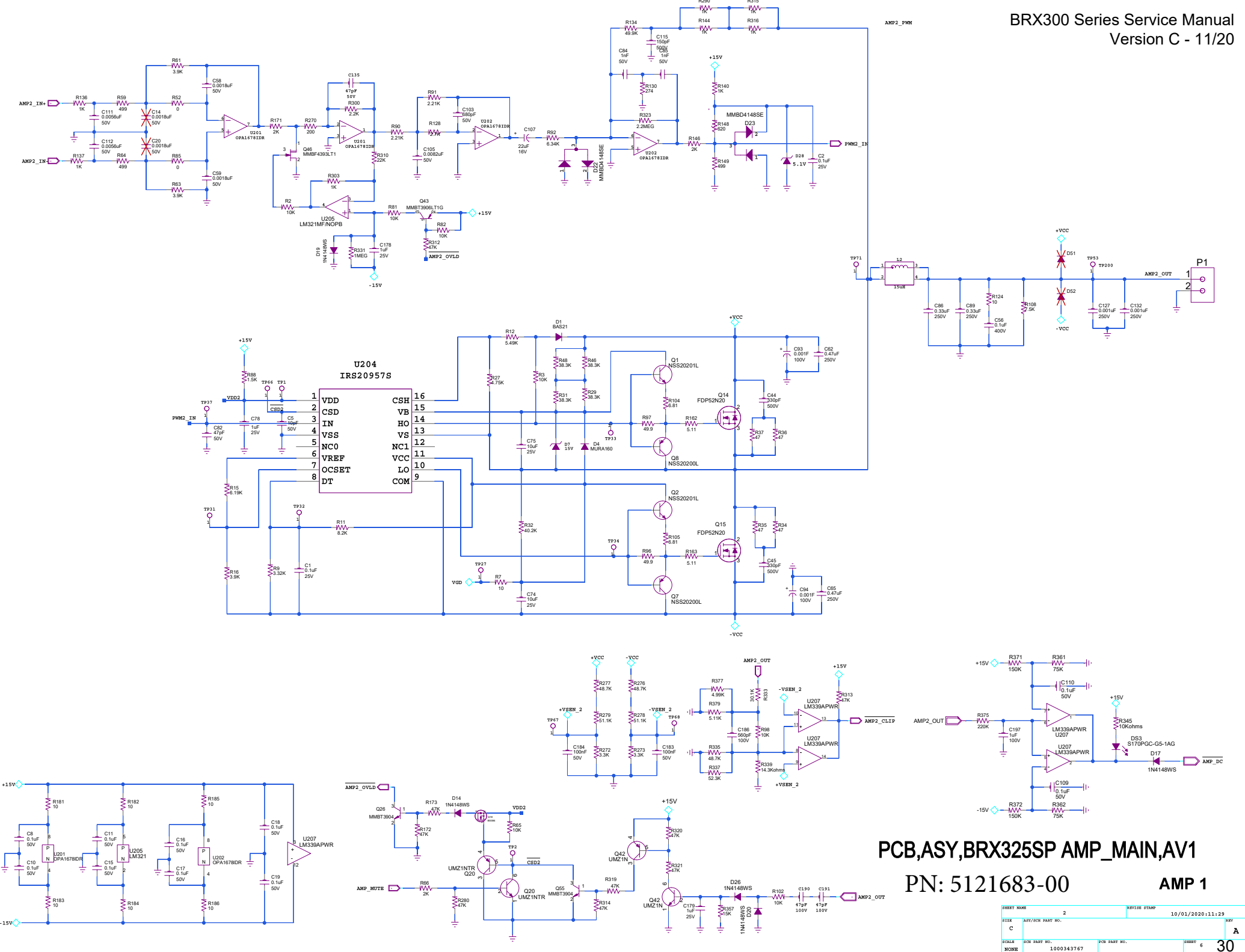


PCB,ASY,BRX325SP AMP\_MAIN,AV1

PN: 5121683-00

AMP 2

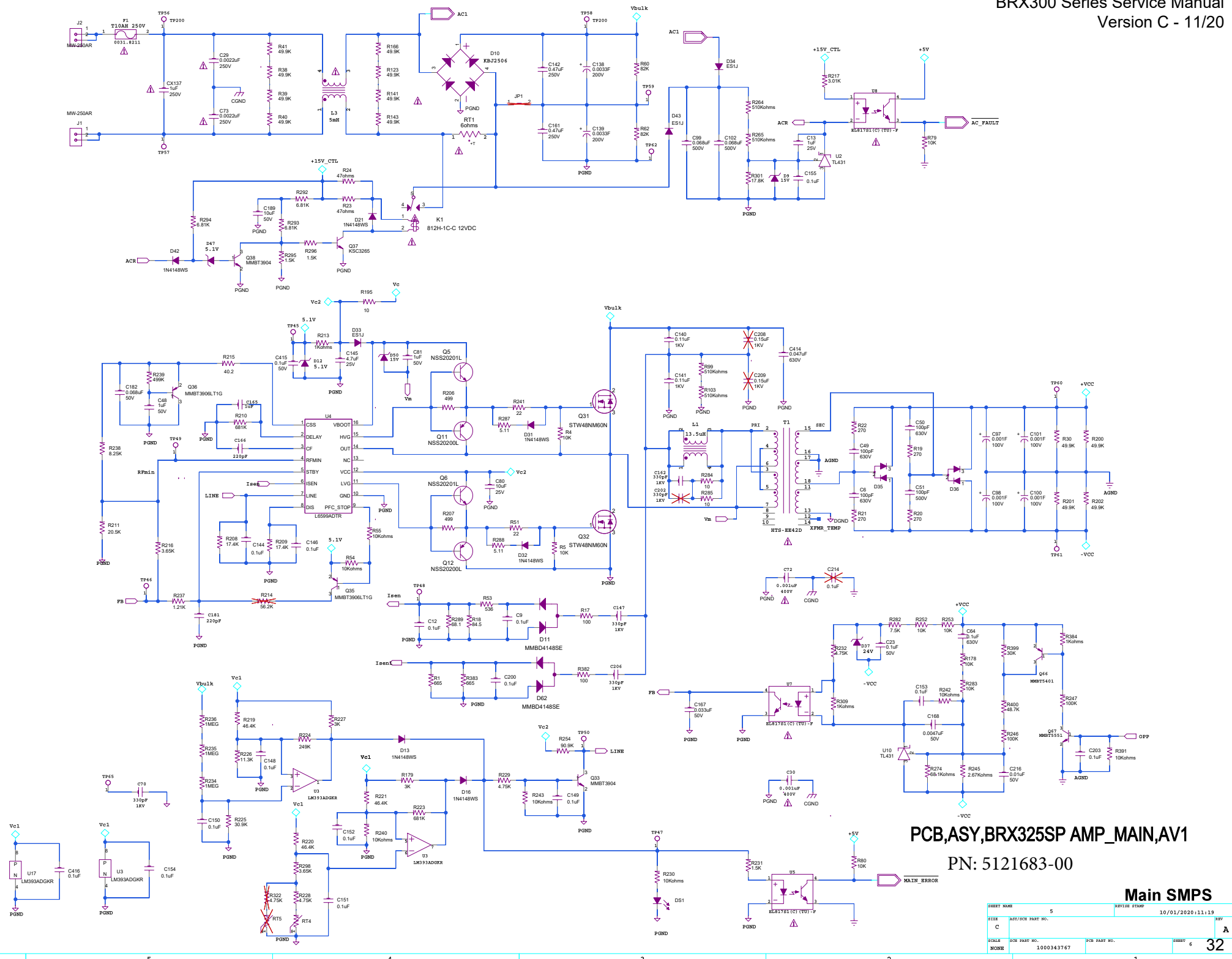
SHEET NAME		3	REVISE STAMP	10/02/2020 11:29
SHEET	REV	REV/REV PART NO.		REV
C				A
SCALE	REV PART NO.	PCB PART NO.	SHEET	6
NONE	1000343767			29



PCB,ASY,BRX325SP AMP\_MAIN,AV1  
PN: 5121683-00 AMP 1

SECRET NAME	2	REVISE	10/02/2020 11:29
FILE	AV1/SCN PART NO.	REV	
C		A	
SCALE	SIZE PART NO.	PCB PART NO.	SHEET 6
NONE	1000343767		30





PCB,ASY,BRX325P AMP\_MAIN,AV1

PN: 5121683-00

Main SMPS

SHEET NAME		5	REVISE STAMP		10/02/2020 11:19
FILE	REV/CHK PART NO.				REV
C					A
SCALE	REV PART NO.	1000343767	PCB PART NO.		SHEET 6
					32





6

5

4

3

2

1

D

D

C

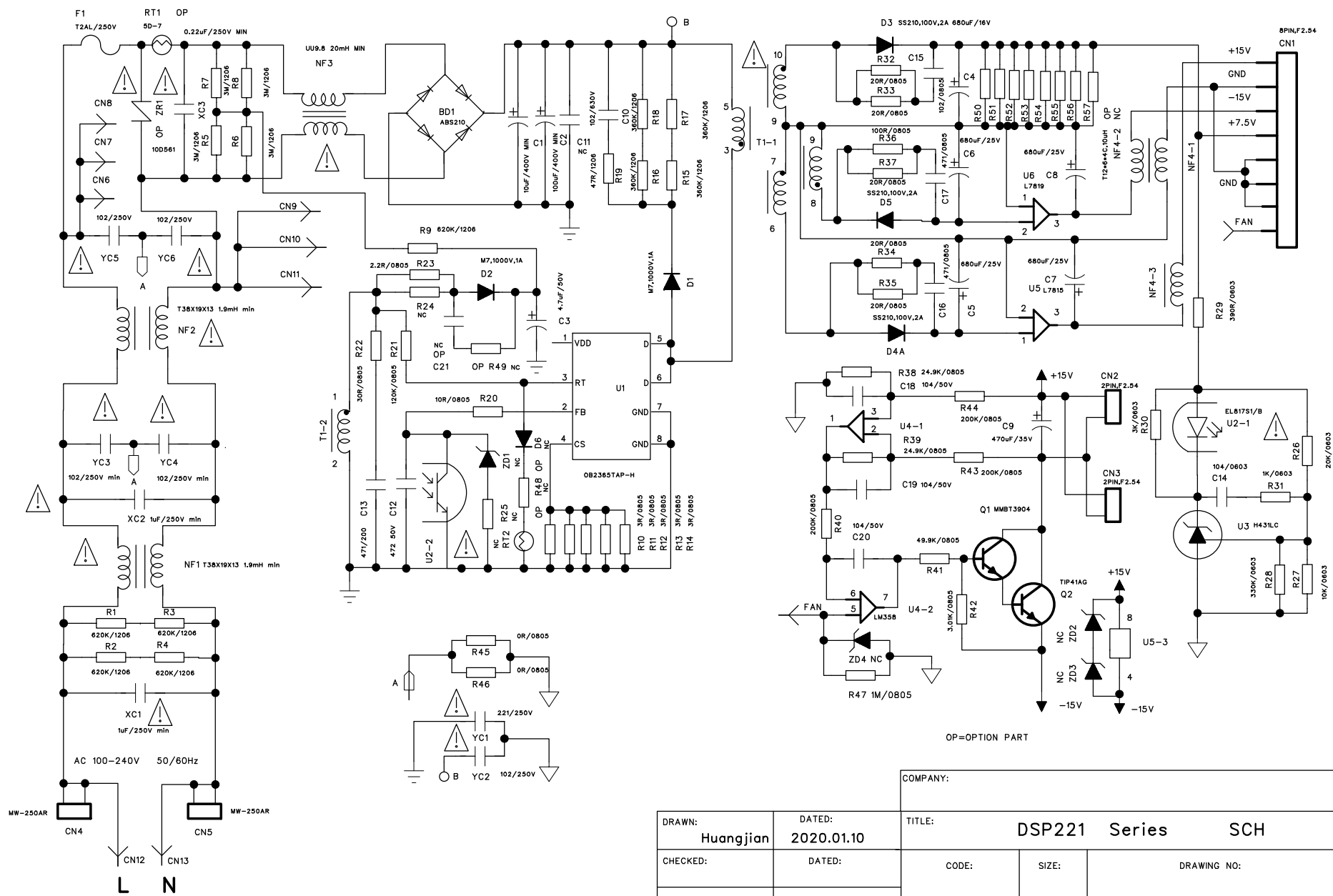
C

B

B

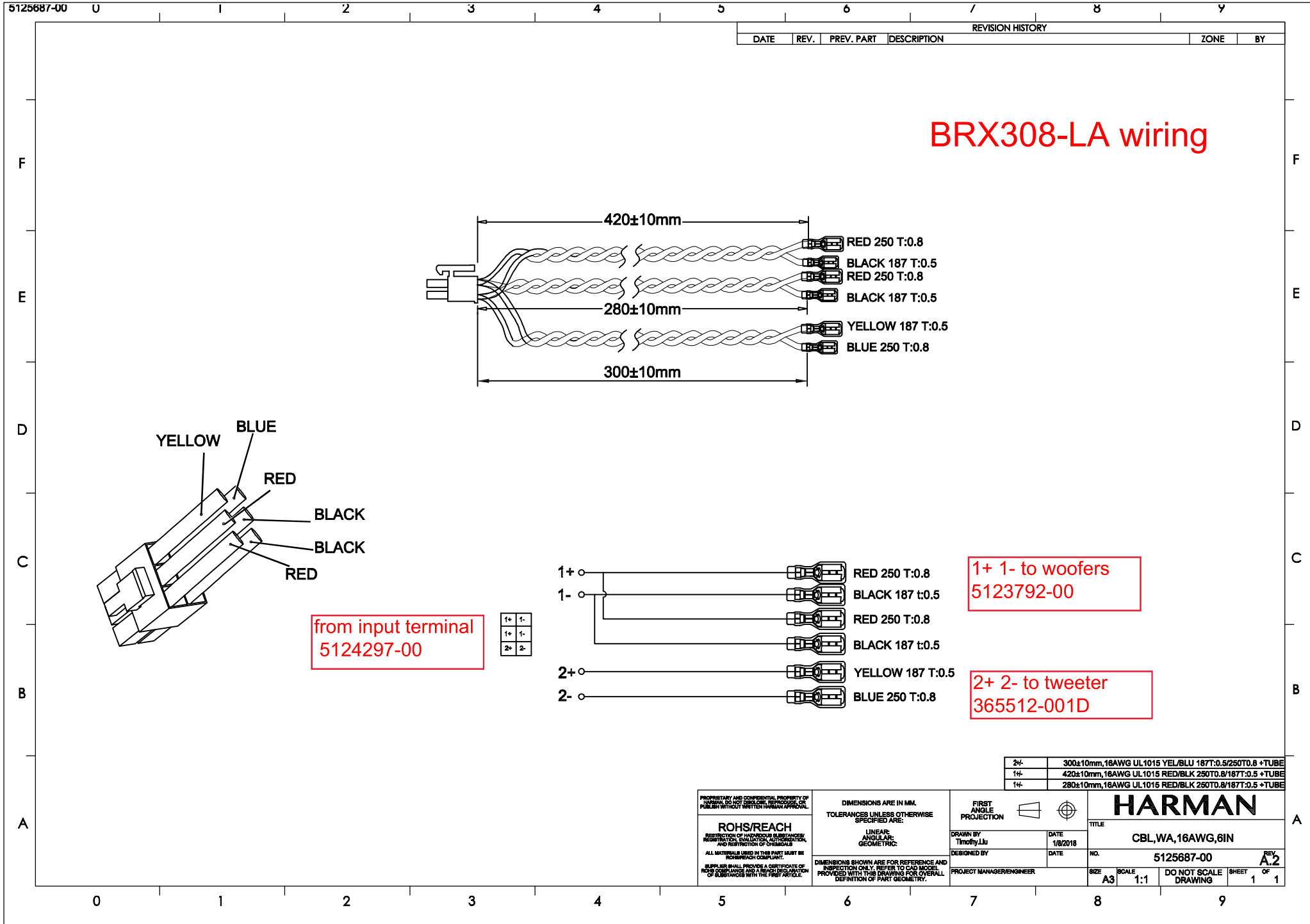
A

A



PCB,ASY,EMI FILTER,BRX325SP AMP

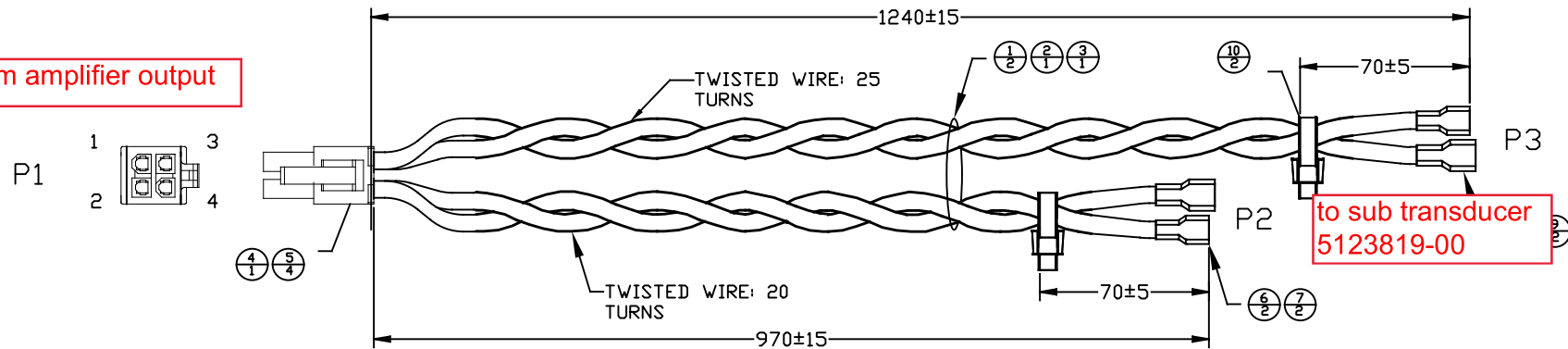
COMPANY:				
DRAWN: Huangjian	DATED: 2020.01.10	TITLE: DSP221 Series SCH		
CHECKED:	DATED:	CODE:	SIZE:	DRAWING NO:
QUALITY CONTROL:	DATED:	A4		PN: 5124678-00
RELEASED:	DATED:	SCALE:		SHEET: OF



REVISION HISTORY					
DATE	REV.	PREVIOUS PARTNO.	DESCRIPTION	ZONE	BY
20200430	B		UPDATE PIN ASSIGNMENT		VWEN

## BRX325SP Wiring

from amplifier output



to sub transducer  
5123819-00

Ⓑ

4	BLACK	187T	
3	RED		250T
2	BLUE	250T	
1	BLACK		187T
P1	COLOR	P2	P3
PIN ASSIGNMENT			

4	BLUE	250T	
3	RED		250T
2	BLACK	187T	
1	BLACK		187T
P1	COLOR	P2	P3
PIN ASSIGNMENT			

10		CABLE TIE ,25*115MM,COLOR:BLACK	2PCS		CABLE TIE
9		PVC SHEATH FOR 250F TERMINAL	2PCS	STS	25045
8		250 Terminal Female, JHB25031	2PCS	STS	709-BS
7		PVC SHEATH FOR 187F TERMINAL	2PCS	STS	18740
6		187 Terminal Female, JHB187163BS2	2PCS	STS	712-BS
5		PH 4.2mm Terminal Female	4PCS	ECI	5016T1
4		PH 4,2 2*1 HOUSING	1PCS	ECI	5016-2*2P
3		WIRE UL1015 16AWG,COLOR:BLUE	0.97M	LTK	UL1015X16BK
2		WIRE UL1015 16AWG,COLOR:RED	1.24M	LTK	UL1015X16RD
1		WIRE UL1015 16AWG,COLOR:BLACK	2.21M	LTK	UL1015X16BK

ITEM	CUST P/N.	DESCRIPTION	Q'TY	VENDOR	VENDOR P/N.
<small>PROPRIETARY AND CONFIDENTIAL PROPERTY OF HARMAN. TO NOT REPRODUCE, REPAIRS OR PUBLISH WITHOUT WRITTEN HARMAN APPROVAL.</small>		DIMENSIONS ARE IN MM. TOLERANCES UNLESS SPECIFIED UNLESS ARE:			
<small>ROHS RESTRICTION OF HAZARDOUS SUBSTANCES ALL MATERIALS USED IN THIS PART MUST BE ROHS COMPLIANT. SUPPLIER SHALL PROVIDE A CERTIFICATE OF ROHS COMPLIANCE WITH THE FIRST ARTICLE.</small>			DRAWN BY VWen	DATE 1/13/2020	
<small>DIMENSIONS SHOWN ARE FOR REFERENCE AND INSPECTION ONLY. REFER TO CAD MODEL PROVIDED WITH THIS DRAWING FOR OVERALL DEFINITION OF PART GEOMETRY.</small>		DESIGNED BY VWen	DATE 1/13/2020	TITLE CBL.AV.SUBWOOFER TO AMP	
PROJECT MANAGER/ENGINEER			SIZE A4	SCALE 1:1	DO NOT SCALE DRAWING
			SHEET 1	OF 1	REV B

BRX300 Series Amplifier					
Ref ID	Description	QTY.	Ref ID	Description	QTY.
1	ENCL,CHAS,FRONT PANEL,JUKEBOX	1	20	FSTNR,NUT,HEX, M3	2
2	HDW,BRKT,BRACKET,RIGHT 3, JUKEBOX	1	21	HDW,FOAM STRIP,65x20x3mm,EVA,BRX325SP AMP	2
3	HDW,BRKT,BRACKET RIGHT 1, JUKEBOX	1	22	FSTNR,MSCR, #6-32X.312 SEMS TFS CONE 1	103
4	FSTNR,NUT,HEX 6-32 W/ WSHR	10	23	ENCL,CHAS, TOP COVER, JUKEBOX	1
5	TIE, CABLE 100 x2.5mm	1	24	FSTNR,MSCR,TORX,#6-32 x12	12
6	HDW,BRKT,BRACKET RIGHT 2, JUKEBOX	1	25	HDW,BRKT,BRACKET LFET, JUKEBOX	1
7	ENCL,CHAS, BOTTOM CHASSIS, JUKEBOX	1	26	HDWR,FSTNR,SCR M3X12	2
8	PCB,ASY,AMP_OUT_PASSIVE,AV1	1	27	MECH, CLIP, TO247, 60N, 13mm	6
9	PCB,ASY,BRX325SP AMP_I/OBOARD,AV1	1	28	HDW,INSUL,52X24X0.64mm,ALUMINA	3
10	CLIP, TO-220	18	29	FSTNR,MSCR,#6-32x1/2",FLH,BLK	17
11	HDW,INSUL,30X21X0.64mm,ALUMINA	9	30	ENCL,OVLY,CUT SHEET, JUKEBOX	1
12	PCB,ASY,BRX325SP AMP_DSP,AV1	1	31	M2.9X9.5MM FLTHD TRX TFS BZ AB	12
13	PCB,ASY,AMP_OUT_SUBWOOFER,AV1	1	32	THRMMGT,FAN,80x80x25mm,24V,54.56CFM	2
14	PCB,ASY,AMP_BRX325SP AMP_MAIN,AV1	3	33	RVT, BLIND 0.315"X0.315"X0.156" PLAS FA	8
15	THRMMGT,HTSK,HEATSINK LONG, JUKEBOX	3	34	HDW,LTCONT,LED LIGHT GUIDE,BRX325SP AMP	1
16	THRMMGT,THRMPD,25x50x2mm,BRX325SP AMP	3	-	CKT PROT,N,FUSE,10A,250V,5X20mm	1
17	THRMMGT,HTSK,HEATSINK SHORT, JUKEBOX	3	-	CBL,AV,EMI PCB TO AMP PCB PASSIVE	2
18	PCB,ASY,EMI FILTER,BRX325SP AMP	1	-	CBL,AV,EMI PCB TO AMP PCB SUBWOOFER	1
19	MECHASY,POWERCON,SWITCH,AV1	1	-	CBL,AV,EMI PCB TO DSP PCB	1
-	CBL,AV,EMI PCB TO POWERCON	1	-	CBL,AV,AMP PCB TO DSP PCB	3
-	CBL,AV,EMI PCB TO POWERCON	1	-	CBL,AV,DSP PCB TO I/O PCB	1
-	CBL,AV,POWERCON TO CHASSIS,BRX325SP AMP	1	-	MECHASY,PWA MAIN JUKEBOX	3
-	SW,RCKR,DPDT,PWR,16A,250VAC,MNT	1	-	MECHASY,ENCL,AMP BOX_JUKEBOX	1
-	CON,PWR,POWERCON,IN,20A,3PIN,VERT,MNT	1			
-	CBL,AV,EMI PCB TO POWERCON BROWN	1			
-	CBL,AV,EMI PCB TO POWERCON BLUE	1			

BRX300 Series Amplifier (PCB-1)					
Ref ID	Description	QTY.	Ref ID	Description	QTY.
12	PCB,ASY,BRX325SP AMP_DSP,AV1	1			
-	IC, REG LDO 3.3V 0.8A LD1117 TO-252	1	-	RES,100k,1%,63mW,THKF,0402	7
-	CAP,22p0,5%,50V,CER,COG,0402	8	-	RES,1M00,1%,63mW,THKF,0402	1
-	IDCTR,3.3uH,800mA,RFC,SMD-1812	1	-	RES,39R0,1%,63mW,THKF,0402	2
-	IDCTR,10u0,2.0A,P1167.103,SHLD,SM	1	-	RES,12k0,1%,63mW,THKF,0402	6
-	RES,0R00,1A,THKF,0603	1	-	CAP,2n20,5%,25V,CER,COG,0402	2
-	RES,10R0,1%,100mW,THKF,0603	1	-	CAP,100p,5%,50V,CER,COG,0402	4
-	RES,182R,1%,63mW,THKF,0603	4	-	CAP,10p0,5%,50V,CER,COG,0402	3
-	CAP,1n00,5%,50V,CER,COG,0603	3	-	CAP,10u0,10%,25V,CER,X7R,1206	31
-	DIO,SCHOTTKY,BAT54S,DUAL,200mA,30V,SOT23	4	-	XTLO,XTAL,24M576,20ppm,18pF,SM,5.0x3.2mm	1
-	IC,VREG,ADJ,LIN,ADP171,300mA,LDO,TSOT5	1	-	CAP,470p,5%,50V,CER,NP0,0402	12
-	IDCTR,FBD,600R@100MHz,500mA,0603	20	-	RES,10R0,1%,63mW,THKF,0402	33
-	IDCTR,FBD,2K50@100MHz,50mA,0603	4	-	RES,20k0,1%,63mW,THKF,0402	14
-	RES,12k1,1%,63mW,THKF,0402	1	-	CAP,1n00,5%,50V,CER,COG,0402	13
-	XSTR,BJT,NPN,2N3904,40V,200mA,SOT23	6	-	RES,470K,1%,63mW,THKF,0402	1
-	RES,100R,1%,63mW,THKF,0402	2	-	RES,1.5K,0.1%,63mW,THNF,0402	8
-	RES,110R,1%,63mW,THKF,0402	4	-	CAP,100p,1%,50V,CER,COG,0402	10
-	RES,2k49,1%,63mW,THKF,0402	5	-	RES,3K74,1%,63mW,THKF,0402	6
-	RES,825R,1%,63mW,THKF,0402	4	-	RES,1K74,1%,63mW,THKF,0402	6
-	IDCTR,FBD,600R,100MHZ,1300mA,0603	5	-	IC,AMP,OPA1678,DUAL,LOW-NOISE,SO8	10
-	CAP,100n,10%,16V,CER,X7R,0402	94	-	RES,1K65,1%,63mW,THKF,0402	2
-	CON,HDR,1X2,2.54mm,VERT,ML	1	-	CAP,18p0,5%,50V,CER,COG,0402	4
-	CAP,100n,10%,50V,CER,X7R,0402	32	-	IC,DSP,ADSP-21489KSWZ-4A,400MHz,100,LQFP	1
-	CAP,100u,20%,25V,EL,85C,6.3x7.7,SM	1	-	CAP,100n,20%,50V,CER,X7R,0402	1
-	IC,MIPRCS,ARM9,AT91SAM9G25,BGA217	1	-	RES,4k99,1%,63mW,THKF,0402	5
-	RES,10k0,1%,63mW,THKF,0402	42	-	CAP,680p,5%,100V,CER,COG,0402	4
-	RES,1k00,1%,63mW,THKF,0402	26	-	RES,33R0,1%,63mW,THKF,0402	7
-	RES,22R0,1%,63mW,THKF,0402	2	-	RES,3K32,1%,63mW,THKF,0402	1
-	RES,6k04,1%,63mW,THKF,0402	12	-	CAP,330p,5%,50V,CER,COG,0402	16
-	RES,2k00,1%,63mW,THKF,0402	12	-	CAP,1000u,20%,25V,EL,85C,10x20,RAD	3
-	IC,INTFC,10/100BASE-TX TRANSCEIVER,QFN32	1	-	CAP,47n0,10%,16V,CER,X7R,0402	1
-	RES,40k2,1%,63mW,THKF,0402	2	-	RES,604R,0.1%,63mW,THNF,0402	8

-	RES,1k50,1%,63mW,THKF,0402	3	-	CAP,2n20,5%,50V,CER,X7R,0402	1
-	RES,1R00,1%,100mW,THKF,0603	1	-	IC,LGC,74LCX244,OCT BUF/LIN DRV,TSSOP20	1
-	RES,0R00,+0R05,63mW,THKF,0402	39	-	CAP,10n0,5%,25V,CER,X7R,0402	6
-	IC,VREG,MPM3805,ADJ,0.6V,0.6A,QFN	1	-	CON,HDR,2X7,2.54mm,VERT,ML,SM	1
-	XTLO,XTAL,25M000,18p,2.8x3.2mm,SM	1	-	IC,MEM,DDR2,512M,32Mx16,1.8V,WBGA-84	1
-	RES,33k0,1%,100mW,THKF,0603	2	-	RES,0R00,0%,63mW,THKF,0603	30
-	CAP,220u,20%,16V,EL,85C,8x10,SM	2	-	RES,3k01,1%,63mW,THKF,0402	24
-	IC,VREG,MP1494,ADJ,SW,2A,TSOT23-8	2	-	CON,HDR,2X12,2.54mm,SHRD,VERT,ML,TH	1
-	CAP,1n00,10%,50V,CER,X7R,0402	2	-	CON,HDR,2X9,2.54mm,SHRD,VERT,ML,TH	3
-	XTLO,XTAL,12.000MHz,18pF,SMD	1	-	PCB,RAW,JUKEBOX_DSP	1
-	OPTO,LED,YEL UB,593nm,140mcd,0603	3	-	CAP,10u0,10%,10V,CER,X7R,0805	28
-	CAP,220P,1%,50V,CER,C0G,0402	12	-	CON,HDR,1x8,2.50mm,SHRD,VERT,ML,TH	1
-	RES,6k81,1%,63mW,THKF,0402	1	-	OPTO,LED,YEL/GRN,MONO,575nm,0603	1
-	CON,HDR,3PIN,1X3,2.54MM,VR,MALE,SM	2	-	IC,MEM,FLASH,NAND,2Gb,1.8V,VFBGA63	1
-	CON,HDR,10PIN,2X5,1.27MM,VR,MALE,SM	1	-	RES,2R00,1%,100mW,THKF,0603	2
-	CON,USB,MICRO,I/O,TYPE B,VERT,RCPT,2.3MM TAIL	1	-	RES,33R0,1%,63mW,THKF,0603	24
-	IC,INTFC,NCP303LSN30T1,RESET,3V,TO-23-5	1	-	RESNET 33 Ohm 5% 63mW ISO 8 SM	8
-	RES,15k0,1%,63mW,THKF,0402	2	-	IC CS42528 CODEC 2IN 8OUT 114dB SPDIF RX	1
-	RES,22k0,1%,63mW,THKF,0402	1	-	RES,475k,1%,63mW,THKF,0402	2
-	RES,68k0,1%,63mW,THKF,0402	2			

BRX300 Series Amplifier (PCB-2)			BRX300 Series Amplifier (PCB-3)		
Ref ID	Description	QTY.	Ref ID	Description	QTY.
9	PCB,ASY,BRX325SP AMP_IOBOARD,AV1	1	8	PCB,ASY,AMP_OUT_PASSIVE,AV1	1
-	XFMR, ETHERNET M-DIX SMT	1	-	CAP,1n00,5%,250V,CER,COG,1206,SOFT	32
-	RES,1k00,1%,100mW,THKF,0603	12	-	CON,PWR,SPEAKON JACK,4PIN,VERT,TH,/I\	2
-	XSTR,BJT,NPN,2N3904,40V,200mA,SOT23	9	-	PCB,RAW,AMP_OUT_PASSIVE,AV1	1
-	LBL,BLNK,AUTOINSERT,KAPT,23x6(mm)	1	-	CBL,AV,AMP TO PASSIVE1	1
-	IDCTR,FBD,600R,100MHZ,1300mA, 0603	8	-	CBL,AV,AMP TO PASSIVE2	1
-	CON,RJ45,8P8C,RJ45,1.27mm,VER,SM	1	<b>BRX300 Series Amplifier (PCB-4)</b>		
-	RES,10k0,1%,63mW,THKF,0402	14	Ref ID	Description	QTY.
-	CON,XLR,M,3P,PLASTIC,TH,VERT	2	13	PCB,ASY,AMP_OUT_SUBWOOFER,AV1	1
-	XSTR,BJT,2N2907,PNP,SOT23	4	-	CAP,1n00,5%,250V,CER,COG,1206,SOFT	16
-	CKT PROTN,SRG,BI-DIR,MLESD24B,0603	8	-	PCB,RAW,AMP_OUT_SUBWOOFER,AV1	1
-	CAP,47p0,5%,50V,CER,COG,0402	8	-	CON,HDR,2x2,4.20mm,600V,13A,VERT,TH	1
-	CAP,100p,5%,50V,CER,COG,0402	8	-	CBL,AV,AMP TO SUBWOOFER	1
-	CAP,100n,20%,50V,CER,X7R,0402	4			
-	RES,75R0,1%,63mW,THKF,0402	4			
-	OPTO,LED,RED/GRN,CLR,120/450mcd,0605	7			
-	CAP,10n0,20%,2kV,CER,X7R,2220	1			
-	CON,XLR,VERT,3PIN,FEM,CHAS,PLSTC,TH	2			
-	CON,HDR,2X12,2.54mm,SHRD,VERT,ML,TH	1			
-	SW,SLDR,DPDT,500mA,50V,VERT,TH	1			
-	PCB,RAW,JUKEBOX_IOBOARD	1			
-	RES,1k00,1%,100mW,THKF,0603	1			



BRX300 Series Amplifier (PCB-5)					
Ref ID	Description	QTY.	Ref ID	Description	QTY.
14	PCB,ASY,AMP_BRX325SP AMP_MAIN,AV1	1			
-	CAP, 150PF 500V 5% NPO 1206	2	-	RES,10R,5%,5W,CEMENT,RDL	2
-	XTOR, NPN 30V 0.8A KSC3265 SOT-23	1	-	XSTR,BJT,PNP,DUAL COLLECTOR,45V,1A,SOT89	1
-	DIO,GP,MMBD4148SE,100V,200mA,SOT23	6	-	IC,VREG,78M12C,12V,0.5A,DPAK	1
-	CAP, 1UF 250VAC 10% X2 PPRO RAD	1	-	IDCTR,15u,20A,T130-2,VERT,TH	2
-	TRES, 10KOHM B NTC 1% 0603	3	-	CAP,47n0,10%,630V,CER,X7R,1210,SOFT TERM	1
-	IC, REG LDO 3.3V 0.8A LD1117 TO-252	1	-	IC,AMP,OPA1678,DUAL,LOW-NOISE,SO8	4
-	DIO,GP,BAS21,250V,200mA,SOT23	3	-	DIO,SCHOTTKY,MB220,2A,200V,DO-214AA/SMB	5
-	CAP,470n,10%,250V,CER,X7R,1812	2	-	CAP,220U,20%,16V,EL,85C,6.3X11,RDL	4
-	IC, DRV PWM 200V IRS20957S SO16	2	-	CAP,330p,5%,500V,CER,C0G,1206	4
-	RES,510k,1%,250mW,THKF,1206	4	-	RES,4K75,1%,125MW,THKF,0805	7
-	RES,220k,5%,100mW,THKF,0805	2	-	IDCTR,5mH,20%,6A,TOR,TH	1
-	RES,2k00,1%,100mW,THKF,0603	6	-	CAP,330p,5%,1000V,CER,C0G,1206	3
-	RES,1M00,1%,250mW,THKF,1206	3	-	CAP,330p,5%,1000V,CER,C0G,1206	1
-	RES,52k3,1%,125mW,THKF,0805	2	-	CAP,100p,5%,630V,CER,C0G,1206	4
-	CAP,1u00,10%,50V,CER,X7R,1206	1	-	RES,6R81,0.25W,1%,1206,THKF	4
-	CAP,1u00,10%,25V,CER,X7R,0805	4	-	RES,5R11,1%,250mW,THKF,1206	2
-	RES,1k00,1%,125mW,THKF,0805	7	-	RES,5R11,1%,250mW,THKF,1206	4
-	CAP,100n,10%,50V,CER,X7R,0603	39	-	RES,49K9,1%,0.25W,THKF,1206	2
-	CAP,10u0,10%,16V,CER,X5R,0805	1	-	RES,3K01,1%,0.125W,THKF,0805	1
-	RES,0R00,1A,THKF,0603	4	-	RES,2K21,1%,0.125W,THKF,0805	1
-	RES,10R0,1%,100mW,THKF,0603	12	-	CON,WRTERMN,250 FASTON,VERT,TH	2
-	RES,1k00,1%,100mW,THKF,0603	8	-	RES,3k00,1%,125mW,THKF,0805	2
-	RES,2k21,1%,100mW,THKF,0603	4	-	RES,30K0,1%,125mW,THKF,0805	1
-	RES,10k0,1%,100mW,THKF,0603	21	-	CAP,330n,5%,250V,FILM,PPS,RDL	4
-	RES,15k0,1%,100mW,THKF,0603	2	-	RES,620R,1%,100mW,THKF,0603	2
-	RES,30k1,1%,100mW,THKF,0603	2	-	RES,100k,1%,250mW,THKF,1206	6
-	RES,49k9,1%,100mW,THKF,0603	1	-	RES,17K4,0.125W,1%,THKF,0805	2
-	RES,150k,1%,100mW,THKF,0603	4	-	RES,249R,0.125W,1%,THKF,0805	1
-	RES,1M00,1%,100mW,THKF,0603	2	-	RES,30K9,0.125W,1%,THKF,0805	1
-	CAP,1n00,5%,50V,CER,C0G,0603	4	-	RES,48K7,0.125W,1%,THKF,0805	6
-	DIO,SCHOTTKY,BAT54S,DUAL,200mA,30V,SOT23	3	-	RES,48K7,0.125W,1%,THKF,0805	1

-	XSTR,BJT,NPN,2N3904,40V,200mA,SOT23	6	-	RES,511R,0.125W,1%,THKF,0805	1
-	RES,49R9,1%,100mW,THKF,0603	4	-	RES,536R,0.125W,1%,THKF,0805	1
-	RES,20k0,1%,100mW,THKF,0603	2	-	CAP,10p0,5%,50V,CER,C0G,0805	2
-	CAP,680p,5%,50V,CER,C0G,0603	2	-	RES,38K3,0.25W,1%,THKF,1206	8
-	RES,4k99,1%,63mW,THKF,0603	8	-	XSTR,BJT,NPN,160V,0.6A,SOT-23-3	1
-	CAP,4n7,1%,50V,CER,C0G,0805	2	-	OPTO,CPLR,200-400CTR,5mA,SMD-4 S1,/\	6
-	RES,3R92,1%,125mW,THKF,1206	2	-	CAP,2n20,20%,250V,CER,Y5U,X1/Y1,RDL,/\	2
-	IC,VREG,VIPER22ADIP-E, DIP-8	1	-	CAP,1u00,10%,25V,CER,X7R,0603	4
-	CAP,100n,5%,400V,FILM,PP,RDL	2	-	IC,MIPRCS,STM32L011F4P6,32M,16KB,TSSOP20	1
-	RLY,SPDT,12V,12A	1	-	RES,3k30,1%,125mW,100ppm,THKF,0805	1
-	OPTO,LED,GRN,565nm,CLR,30mcd,SM1206	1	-	RES,6K34,1%,100mW,THKF,0603	2
-	OPTO,LED,RED,640nm,CLR,6mcd,SM1206	1	-	OPTO,LED,GRN,520nm,CLR,600mcd,SM0805	2
-	XSTR,BJT,PNP,MIMBT3906,200mA,40V,SOT23	6	-	RES,10k0,1%,125mW,THKF,0805	15
-	CAP,22u0,20%,16V,EL,85C,4x5.4,SM	2	-	CAP,100n,10%,25V,CER,X7R,0603	4
-	CAP,1n0,20%,400V,CER,Y1,6.8x6,RDL	3	-	RES,255R,1%,100mW,THKF,0603	1
-	CAP,1u00,10%,50V,CER,X7R,0805	2	-	XSTR,BJT,DUAL,NPN,PNP,150mA,50V,SOT363	4
-	RES,13k7,1%,100mW,THKF,0603	2	-	IC,LIN,COMP,DUAL,LM393A,VSSOP8	2
-	RES,47k0,1%,100mW,THKF,0603	18	-	IC,LIN,COMP,QUAD,LM339A,TSSOP14	2
-	XSTR,MFET,P-CH,50V,130mA,SOT23	2	-	CON,HDR,2X9,2.54mm,SHRD,VERT,ML,TH	1
-	RES,47R0,1%,500mW,THKF,1210	8	-	PCB,RAW,AMP_JUKEBOX_MAIN	1
-	CAP,1u00,10%,100V,CER,X7R,1206	2	-	CAP,5n60,5%,50V,CER,C0G,0603	4
-	CAP,220p,5%,200V,CER,C0G,0805	2	-	CAP,100n,10%,630V,CER,X7R,1812,SOFT TERM	2
-	CAP,47p0,5%,50V,CER,C0G,0603	4	-	RES,10R0,1%,250mW,THKF,1206	5
-	RES,51k1,1%,100mW,THKF,0805	4	-	RES,22R0,1%,250mW,THKF,1206	2
-	CAP,220p,5%,500V,CER,C0G,1206	5	-	RES,100R,1%,250mW,THKF,1206	2
-	RES,10R0,1%,125mW,THKF,0805	2	-	RES,47R0,1%,250mW,THKF,1206	6
-	CAP,560p,10%,100V,CER,X7R,0603	2	-	CAP,10u0,10%,50V,CER,X7R,1206	2
-	CAP,68n0,10%,500V,CER,X7R,1206	4	-	XSTR,BJT,PNP,20V,2A,LOW VCE,SOT23	7
-	CAP,4u7,10%,25V,CER,X5R,0805	1	-	XSTR,BJT,NPN,20V,2A,LOW VCE,SOT-23	6
-	RES,22k0,1%,100mW,THKF,0603	2	-	DIO,RECT,FAST,600V,1A,35ns,ES1J,SMA	4
-	RES,33R0,1%,100mW,THKF,0603	3	-	RES,10k0,1%,250mW,THKF,1206	4
-	RES,2k20,1%,250mW,THKF,1206	4	-	CAP,3300u,20%,200V,EL,85C,35X50,SNPN	2
-	RES,3k30,1%,100mW,THKF,0603	4	-	CAP,110n,5%,1000V,FILM,PP,P15,TH	2
-	RES,3k90,1%,100mW,THKF,0603	6	-	IDCTR,13u5,5%,6A,T130-2,4PIN,TH	1

-	CAP,68n0,10%,50V,CER,X7R,0805	1	-	XFMR,PWR,EE4220,LLC750W,HALF BRIDGE,TH	1
-	IC,VREG,LM317MDT,ADJ,TO252	1	-	RES,20k5,1%,100mW,THKF,0603	1
-	RES,3k32,1%,100mW,THKF,0603	2	-	RES,OR00,+50mR,2A,THKF,0805	1
-	RES,200R,1%,100mW,THKF,0603	2	-	RES,40k2,1%,1W,THKF,2512	2
-	RES,2k20,1%,100mW,THKF,0603	2	-	RES,499k,1%,125mW,THKF,0805	3
-	RES,2k70,1%,100mW,THKF,0603	2	-	SNSR,TEMP,PTC,6R20,25%,220V,4A,120C,TH	1
-	RES,8k20,1%,100mW,THKF,0603	2	-	XFMR,PWR,AUX,EE1927,FLYBACK,TH	1
-	DIO,ZENR,24V,5%,500mW,SOD-123	1	-	RES,75k0,1%,63mW,THKF,0603	4
-	CAP,1n00,5%,250V,CER,C0G,1206,SOFT	4	-	RES,3k65,1%,100mW,THKF,0805	1
-	CAP,470n,10%,250V,SOFT,X7R,1812	4	-	RES,5k11,1%,100mW,THKF,0805	2
-	CON,FUHLR,1\,16A,250AC,5X20mm,THT,25mm	1	-	RES,68R1,1%,100mW,THKF,0805	1
-	CAP,10n0,10%,50V,CER,X7R,0805	1	-	RES,4k99,1%,100mW,THKF,0805	2
-	CAP,33n0,10%,50V,CER,X7R,0805	1	-	CAP,470u,20%,25V,EL,85C,10x16,RDL	4
-	CAP,1u0,20%,6V3,CER,X5R,0603	1	-	XSTR,JFET,N-CH,MMBF4393LT1,SOT23	2
-	CAP,1n80,5%,50V,CER,C0G,0603	4	-	RES,1k00,1%,250mW,THKF,1210	8
-	RES,49k9,1%,1W,THKF,2512	4	-	RES,11k3,1%,100mW,THKF,0805	1
-	RES,10k0,5%,1W,THKF,2512	2	-	RES,1k21,1%,100mW,THKF,0805	1
-	CAP,10u0,20%,16V,CER,X5R,0603	2	-	RES,14k3,1%,63mW,THKF,0603	2
-	CAP,8n2,5%,50V,CER,X7R,0603	2	-	RES,1k50,1%,100mW,THKF,0805	5
-	RES,2M20,1%,100mW,THKF,0603	2	-	RES,18k2,1%,100mW,THKF,0805	2
-	IC,VREG,TL431,ADJ,SOT23	3	-	RES,20k0,1%,100mW,THKF,0805	1
-	RES,46k4,1%,125MW,THKF,0805	5	-	RES,2k49,1%,100mW,THKF,0805	2
-	RES,3k92,1%,250MW,THKF,1206	6	-	RES,249k,1%,100mW,THKF,0805	1
-	RES,6k19,1%,63mW,THKF,0603	2	-	RES,2k67,1%,100mW,THKF,0805	2
-	CAP,47P0,5%,100V,CER,C0G,0603	4	-	RES,274R,1%,63mW,THKF,0603	1
-	RES,17k8,1%,125mW,THKF,0805	1	-	RES,3k65,1%,100mW,THKF,0805	2
-	XSTR,BJT,NPN,PNP,DUAL,100mA,65V,TSSOP6	1	-	RES,40R2,1%,100mW,THKF,0805	1
-	RES,10R0,5%,1W,THKF,2512	2	-	RES,4k75,1%,63mW,THKF,0603	2
-	DIO,RECT,400V,16A,35nS,IN-SERIES,TO-220AB	2	-	RES,499R,1%,63mW,THKF,0603	8
-	CAP,10u0,10%,25V,CER,X7R,1206	5	-	RES,49k9,1%,250mW,THKF,1210	8
-	DIO,GP,1N4148WS,100V,150mA,SNGL,SOD323	18	-	RES,5.49K OHM 0.063W 1% 0603	2
-	IC,AMPL,LM321 SINGLE,LOW POEWR, SOT23-5	2	-	RES,665R,1%,100mW,THKF,0805	2
-	DIO,ZENR,5.1V,300mW,BZX384-B5V1,+/-2%,SOD323	4	-	RES,6k81,1%,100mW,THKF,0805	4
-	XSTR,BJT,PNP,MMBT5401,600mA,150V,SOT23	1	-	RES,68k1,1%,100mW,THKF,0805	2

-	XSTR,BJT,NPN,45V,1A,SOT89	1	-	RES,681k,1%,100mW,THKF,0805	4
-	CAP,1000u,20%,100V,EL,18x40,RADIAL,TH	8	-	RES,8k25,1%,100mW,THKF,0805	1
-	CON,HDR,2X3,2.54MM,M,GOLD FLASH,VER,TH	1	-	RES,84R5,1%,100mW,THKF,0805	1
-	IC,ASIC,L6599,RESONANT CONTROLLER,SO16	1	-	RES,90k9,1%,100mW,THKF,0805	1
-	XSTR,MFET,N-CH,600V,44A,TO-247	2	-	RES,270R,5%,1W,THKF,2512	4
-	CON,HDR,1X2,4.2MM,VERT,TH	2	-	RES,7k50,5%,1W,THKF,2512	3
-	DIO,BRDGR,KBJ2506,600V,25A,BK	1	-	RES,82k0,5%,1W,THKF,2512	2
-	DIO,SW,MURA160T3G,600V,1A,SMA	2	-	CAP,100n,10%,50V,CER,X7R,0805	28
-	DIO,ZENR,15.2V,2.535%,500mW,SOD-123	4	-	CAP,100UF 25V 20% ELEC RAD	2
-	XSTR,MFET,FDP52N20,N-CH,200V,52A,TO-220	4			

Refer to the corresponding Service Bill of Materials (SBOM) to order parts stocked by Harman.